

## 1. Product description

The devices are modulators with IP input and 4 DVB-T (mix440), 4 DVB-C (miq440) and 2 DVB-S (mid420) output channels. The devices are designed for digital modulation with Transport Stream Processing of TV or Radio programmes, received from streamers or other IPTV sources. Devices filter services, modify SI (Service Information), generate NIT (Network Information table), LCN (Local Channel Number). All of the configurations can be changed by using the Web Interface.

**miq440** – modulator with IP (100/1000 Mbit/s) input and four DVB-C output channels.

**mix440** – modulator with IP (100/1000 Mbit/s) input and four DVB-T output channels.

**mid420** – modulator with IP (100/1000 Mbit/s) input and two DVB-S output channels.

Modulators can be used as a stand alone devices.

The products are intended for indoor usage only.

## 2. Safety instructions

Installation of the transmodulator must be done according IEC60728-11 and national safety standards.

Any repairs must be made by skilled personnel.

Do not expose this transmodulator to moisture or splashing water and make sure no objects filled with liquids, such as vases, are placed near or on the unit.

Avoid placing the transmodulator next to heat sources such as central heating components or in areas of high humidity.

Keep the transmodulator away from naked flames.


If the transmodulator has been kept in cold conditions for a long time, bringing it into a warm environment may cause condensation, so allow it to warm up for no less than 2 hours before plugging into the mains.

Ventilation should not be impeded by covering the transmodulator, such as newspapers, table-cloths, curtains etc.


Mount the transmodulator in a vertical position only. If installing in a 19" rack system additional forced air cooling fans may be required (see table "Technical specifications" - operating temperature range).


Always allow 10 cm of free space from the top, front and bottom of the unit to enable any heat to be dissipated.

---

 This product complies with the relevant clauses of the European Directive 2002/96/EC. The unit must be recycled or discarded according to applicable local and national regulations.

 Equipment intended for indoor usage only.

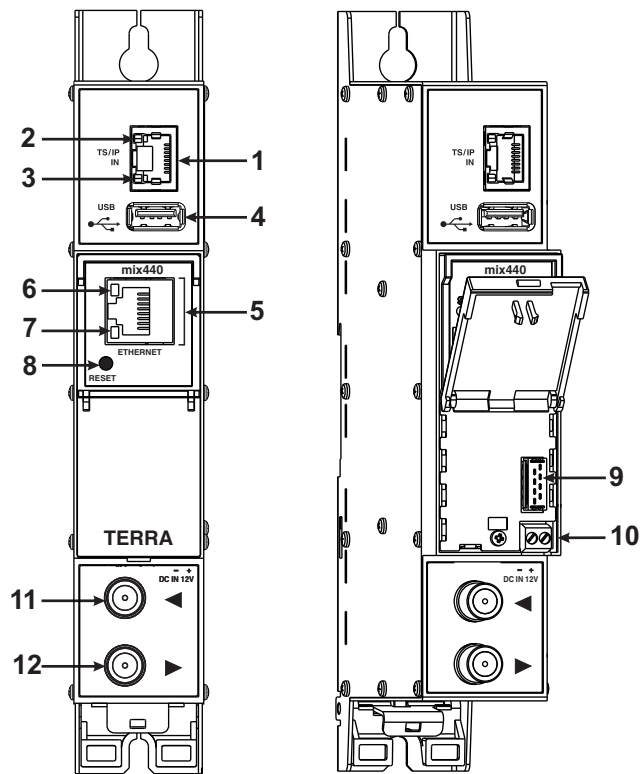
 This product is in accordance to following norms of EU: EMC norm EN50083-2, safety norm EN62368-1, RoHS norm EN50581.

 This product is in accordance with Custom Union Technical Regulations: "Electromagnetic compatibility of technical equipment" CU TR 020/2011, "On safety of low-voltage equipment" CU TR 004/2011.

 This product is in accordance with safety standard AS/NZS 60065 and EMC standards of Australia.

### 3. External view

#### miq440, mix440



#### mid420

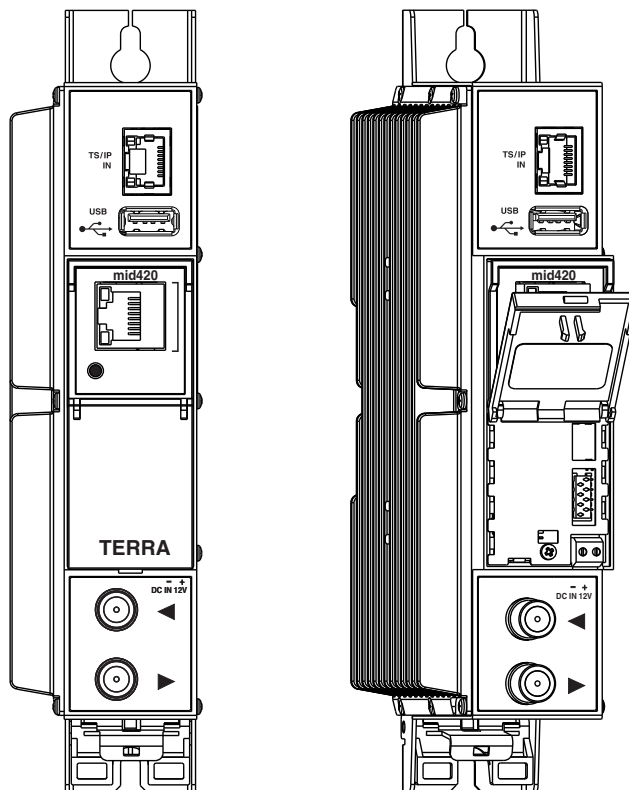


Figure 1. External view of the modulators

- 1 - **TS/IP IN** - streaming Ethernet interface. RJ45 socket.
- 2 - **ACTIVITY** (yellow) indicator of the streaming Ethernet interface.
- 3 - **LINK** (green) indicator of the Ethernet interface.
- 4 - **USB** - USB-A connector for USB flash.
- 5 - **ETHERNET** - control Ethernet interface. RJ45 socket.
- 6 - **ACTIVITY** (yellow) indicator of the control Ethernet interface.
- 7 - **LINK** (green) indicator of the control Ethernet interface.
- 8 - **RESET** button. Press this button shortly to restart the module. Press this button for more than three seconds to set default IP address of the control Ethernet interface. Additional 4 seconds will restore all settings to default, see section 6.9 for details.
- 9 - Power distribution bus connector.
- 10 - +12 V DC powering input. Screw terminal.
- 11 - RF input (output signal loop-through). F socket.
- 12 - RF output. F socket.

**4. Installation instructions**

Read the safety instruction first.

All settings can be changed using the web browser via control Ethernet interface.

Disconnect power supply unit from the mains before making any changes in the connections of the module. Fasten the module on DIN RAIL or individual holder.

Connect all necessary RF, powering and control cables. Shielded Ethernet cable is recommended.

Connect the 75 Ω load to the unused RF input F sockets.

Connect power supply in to the mains.

Within 30-40 seconds of powering the module will run in normal operation mode.

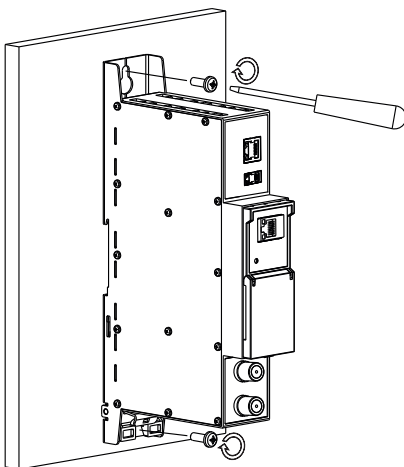
Comments of the front panel indicators:

- the LINK [7] green indicator is on when the link with the control Ethernet interface is established. Indicator is off when there is no link.
- the ACTIVITY [6] indicator blinks, if communication via the control Ethernet interface is active.

**5. MOUNTING**

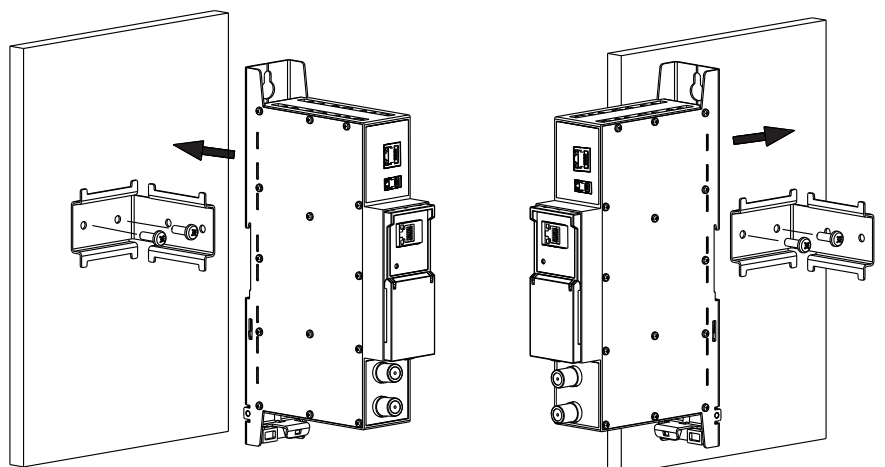
The module or mounting bracket must be fixed with steel screws Ø 3.5-4 mm. The screws are not included in a package. Mounting bracket on DIN rail should be connected to main potential equalization bus.

**Mounting on a wall by screws**



Perpendicular to the wall

**Mounting on a bracket (supplied)**



Parallel to the wall

Figure 2. Mounting of the transmodulator

## Mounting on DIN rail

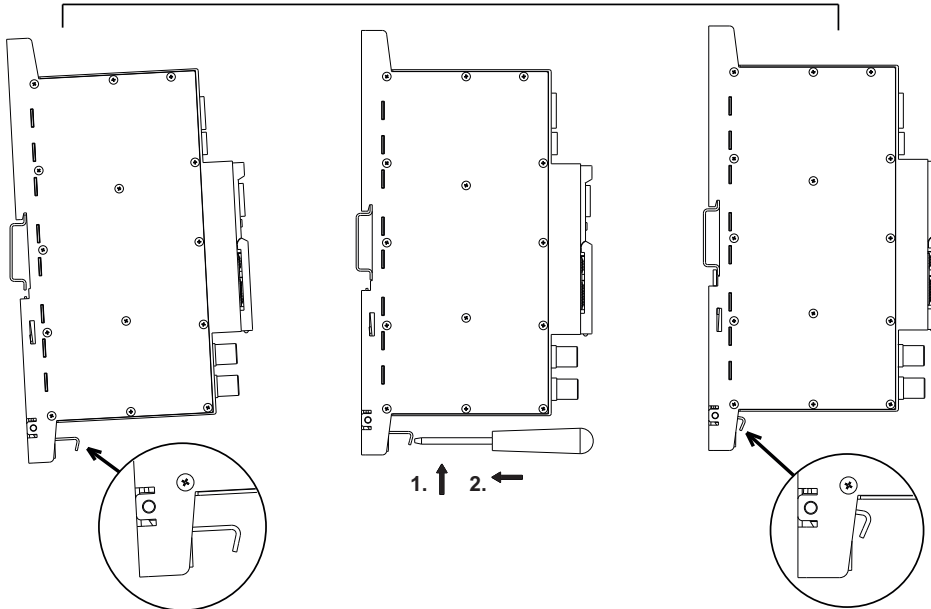


Figure 3. Mounting to DIN rail

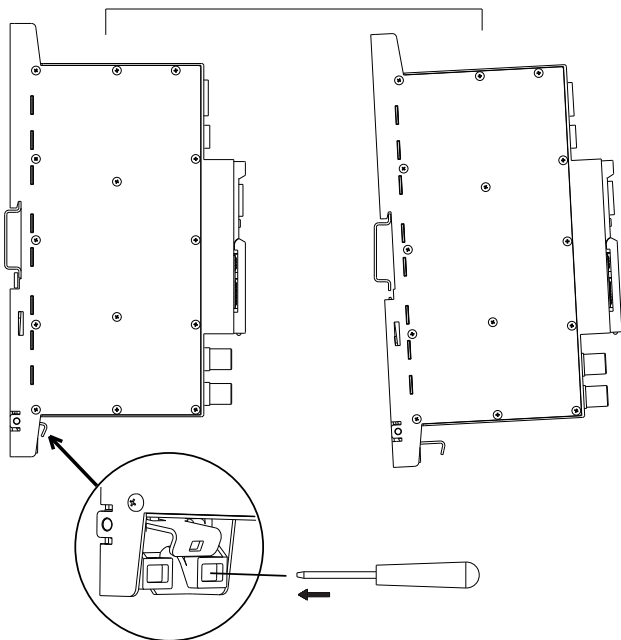


Figure 4. Mounting from DIN rail

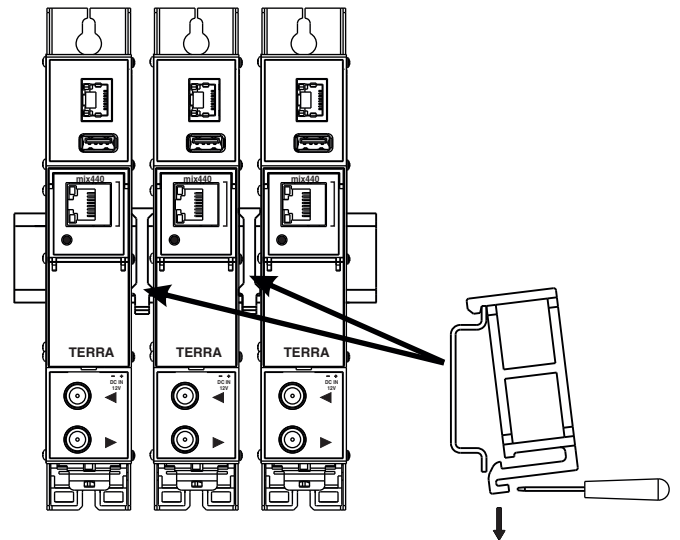



Figure 5. Mounting or removing to/from DIN rail of plastic spacers (supplied).

## Requirements for external power supply unit (PSU)

- Output voltage +12 V  $\pm$  0.5 V
- Ripple at single and/or double mains frequency < 10 mV p-p
- Ripple & noise < 100 mV p-p
- Short circuit protection
- Double insulated (marked )
- Meet EN 55022 class B conducted emissions requirements, measuring with grounded load

## 6. Operating

### 6.1 Initial configuration

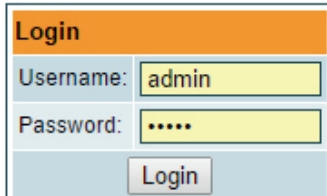
All modules leave the factory with this control over Ethernet interface IP address: 192.168.1.10. In order to avoid conflicts with other IP addresses, it is necessary to perform an initial configuration in the local mode. Subsequently, it will be possible to access the module via local area network (LAN), either to change the configuration or to check the operating status.

The modules leave the factory with the following control over Ethernet interface TCP/IP configuration:

IP address of the module: **192.168.1.10**

Subnet mask: **255.255.255.0**

Default Gateway: **192.168.1.1**



To access each module, use a personal computer (PC) equipped with an Ethernet card and RJ-45 cable (CAT-5E or CAT-6). The IP address of the PC/MAC must be configured within the following range: 192.168.1.2 - 192.168.1.254 (do not use 192.168.1.10, since this is the IP address of the module to be configured). To start the configuration of the module, open your web browser and type in the following location: http://192.168.1.10. The login prompt will appear on the screen (see Figure 6).

Figure 6. Login window

Access to the module is protected by user name and password. The default user name and password is **admin**. Enter the user name and password and click on "**Login**" button.

**Note:** the default password - **admin** - can (and must) be changed as explained in the section **6.18 "User management"**. During initial configuration you need to change the default control interface TCP/IP configuration as explained in the section **6.10 "IP parameters"**.

**Note:** If you are using Internet Explorer Web browser, supported version is 10 or higher.

Control interface IP address reset to default procedure: press the "**RESET**" [8] button for more than 3 seconds. When the LINK [7] indicator will start blinking, release it. After this operation the control interface IP address will be set to **192.168.1.10**, user name and password set to **admin**.

### 6.2 General configuration

#### Initial Web interface screen

The first screen that appears when the module accessed contains the "Main" window, which gives general information on the device.

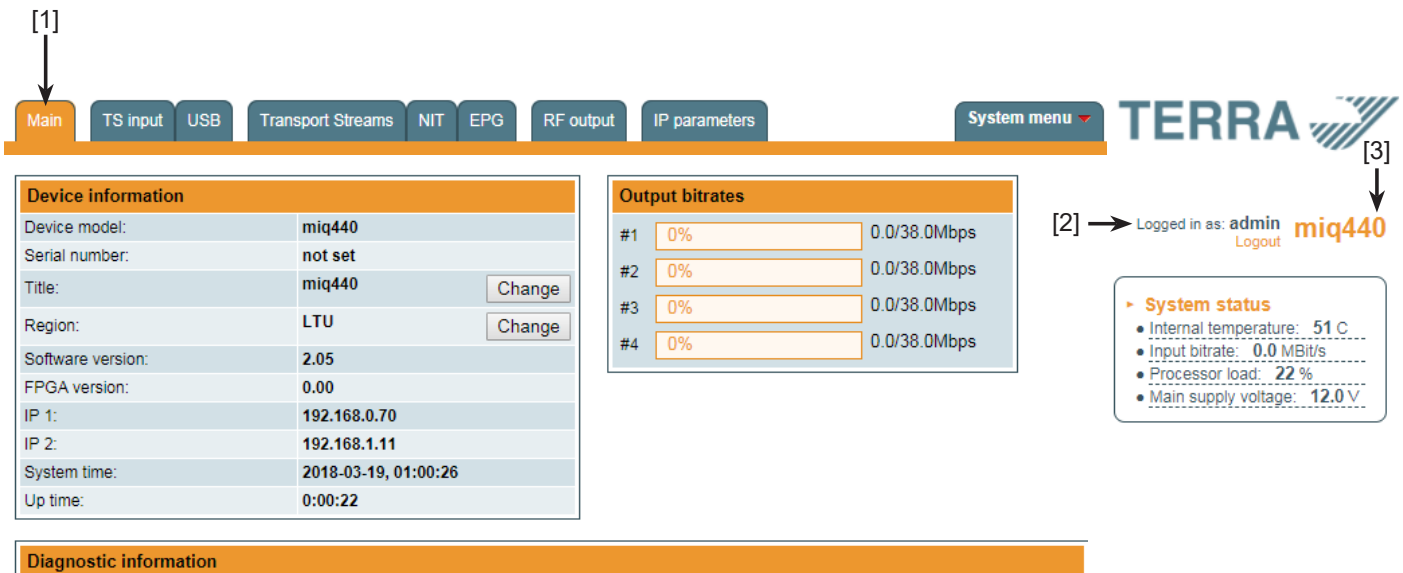


Figure 7. General information screen

In the top of each configuration screen you will see a main menu tabs [1]. Using it, you can switch between the different configuration menu. The tab highlighted in yellow shows which menu is active at a given moment. The "System menu" tab contains several submenu items. Common elements for all screens are module title [3] and login information strings [2]. Pressing on the "Logout" string you can logout from module control.

**"Device information" table**

This shows the following data of module:  
 "Device model": model of the module.  
 "Serial number": serial number of the module.  
 "Title": user may assign a title to the device for easier management. Press the button "Change" to modify it. Also it will be visible in other devices and by computers in network devices (if PC supports SSDP).  
 "Regions": Device supports several preinstalled regions. The RF channel list depends on which region is selected. Region can be changed without restarting the device. Just select needed region by pressing "Change" button in "Device information" table. Additional regions can be installed under request. Contact our distributors for such possibility.  
 "Software version": module software version number.  
 "System time": current time, synchronized from ntp server. Local time offset can be selected in the System menu/Date,Time.  
 "Up time": time passed from last power-up or restart of the module.

**Output bitrates table**

It displays the output bitrate status of each channel in real time, Horizontal bar shows the percentage of used available bandwidth in the channel. The 1<sup>st</sup> number right to the bar shows actual bitrate in Mbps. Next number shows maximum allowed bitrate in the channel and it depends on modulation parameters. Ensure that actual bitrate would not reach more than 95% of available bandwidth. Otherwise bitrate overflow may occur.

**System status table**

It represents the following parameters at real time: internal temperature in degrees of Celsius, Input bitrate (Mbits/s), processor load in percents, power voltage in Volts. Ensure, that Input bitrate does not exceed 200 Mbit/s. Otherwise some input packets may be skipped and pixeling on TV will appear. Also, avoid CPU usage to exceed 80%.

**Other device in the network**

If there are any modules in the network their status and diagnostic information will be displayed as it is in Figure 7 "General information screen". If modules status is red, press the down arrow and diagnostic errors will be displayed. Make sure, that Ethernet router is configured properly to pass SSDP packets (239.255.255.250:1900 and 239.255.255.246:7900). Also make sure that all modules are connected to the same Ethernet network.

**Diagnostic information table**

It displays all module errors and comments (if possible) how to eliminate them.



Figure 8. Diagnostic information table with errors

**6.3 TS input**

All transport streams sources are listed here. See figure 9.

List of UDP/RTP inputs						<a href="#">Load from SAP-SDP</a>	
Enable	Title (optional)	IP Address	Port	Destination channel	Status, CC errors		
<input checked="" type="checkbox"/>	PEARL TV 4K UHD	239.192.4.5	1234	Output 3	0	<a href="#">Edit</a>	<a href="#">Remove</a>
<input checked="" type="checkbox"/>	SES UHD Demo Channel	239.192.2.1	1234	Output 4	19	<a href="#">Edit</a>	<a href="#">Remove</a>
<input checked="" type="checkbox"/>	UHD1 by ASTRA / HD+	239.192.2.2	1234	Output 4	13	<a href="#">Edit</a>	<a href="#">Remove</a>
<input checked="" type="checkbox"/>	TV3	192.168.11.100	8888	Output 1	-	<a href="#">Edit</a>	<a href="#">Remove</a>
<input checked="" type="checkbox"/>	<input type="text"/>	<input type="text"/>	<input type="text"/>	Output 1 <input type="text"/>		<input type="button" value="Add"/>	

Figure 9. List of UDP/RTP sources

To add new UDP/RTP stream source, fill in input fields and press "Add". "Enable" checkox allows the transport stream to pass for processing. The source can be temporarily disabled rather than removing the source from the system and adding it again. "Title" field used for user only for easier management of all sources. "IP Address" and "Port" numbers are main parameters of the IPTV source. Sources can be multicast or unicast, protocols can be UDP or RTP. In case of multicast, device will send IGMP messages to Ethernet switch for enabling requested sources. Protocol is detected automatically. "Destination channel" is the RF output channel, to which the stream will be forwarded.

"Status, CC errors" column shows the status of each transport stream source. Green icon means, that device see the stream. Yellow - waiting for the stream. Red - stream not found. "rtp" note in the icon means, that the stream protocol is RTP and RTP level errors can be visible by hovering the mouse over the icon.

"Edit" link allows to modify IP source. Values of the line will be copied to input fields and "Update" button will appear, allowing to update settings.

"Remove" link will remove the source from device WITHOUT confirmation request.

Input sources can be loaded automatically via SAP-SDP protocol, if signal sources (streamers) supports it. Press onto "Load from SAP-SDP" link and a window with all channels in the LAN will appear. See figure 10:

SAP-SDP			
Insert	Title	IP address:Port	Destination
<input checked="" type="checkbox"/>	zdf_neo HD	239.192.7.2:1234	Output 1
<i>Included</i>	SES UHD Demo Channel	239.192.2.1:1234	Output 4
<i>Included</i>	UHD1 by ASTRA / HD+	239.192.2.2:1234	Output 4
<input checked="" type="checkbox"/>	tagesschau24 HD	239.192.3.1:1234	Output 1
<input checked="" type="checkbox"/>	ZDF HD	239.192.7.1:1234	Output 1
<input checked="" type="checkbox"/> Select all		Insert selected	

Figure 10. SAP-SDP list

Select appropriate destination and press "Insert selected". All selected lines will be added to device.

Scrambled channels can be modulated as well. In this case, MPTS is recommended, because it will carry all original EMM/ECM description for each multiplex. SPTS scrambled channels are allowed as well, but should be avoided, because EMM/ECM streams for each channel will increase bandwidth and may raise confusion in some receivers because of complex EMM/ECM multiplexing.

SPTS streams are recommended for non-scrambled channels.

For further TS processing, see "Transport streams" menu section.

If IGMPv3 is selected in "Streaming interface IP parameters", additional "Sender's IP" input field will appear. See Figure 11 below:

List of UDP/RTP inputs						Load from SAP-SDP	
Enable	Title	IP address	IP port	Destination	Status, CC errors		
<input checked="" type="checkbox"/>	TELESUR HD	239.192.1.2 (192.168.1.13)	1234	Output 1	<span style="color: green;">●</span> 0	<a href="#">Edit</a>	<a href="#">Remove</a>
<input checked="" type="checkbox"/>	RT France HD	239.192.1.7 (192.168.1.13)	1234	Output 1	<span style="color: green;">●</span> 0	<a href="#">Edit</a>	<a href="#">Remove</a>
<input checked="" type="checkbox"/>	<input type="text"/>	<input type="text"/> Stream's IP	<input type="text"/>	Output 1		<input type="button" value="Add"/>	
		<input type="text"/> Sender's IP					

Figure 11. List of UDP/RTP sources

"Stream's IP" is a multicast address, where stream is broadcasted. "Sender's IP" is IP address of the sender. Sender's IP address will also be displayed in the list between parentheses (see in the picture – 192.168.1.13 is the sender's IP address). "Load from SAP-SDP" feature will insert sender's IP address automatically.

**Note:** This feature is for routers only! Device will not reject packets from any other senders. Router should do it (if it supports IGMPv3 protocol).

Sender's IP address can be empty. In this case, router will pass streams from any sender, i.e., will behave like in IGMPv2 case.

Multiple sender's IP addresses can be added as well separated by comma.

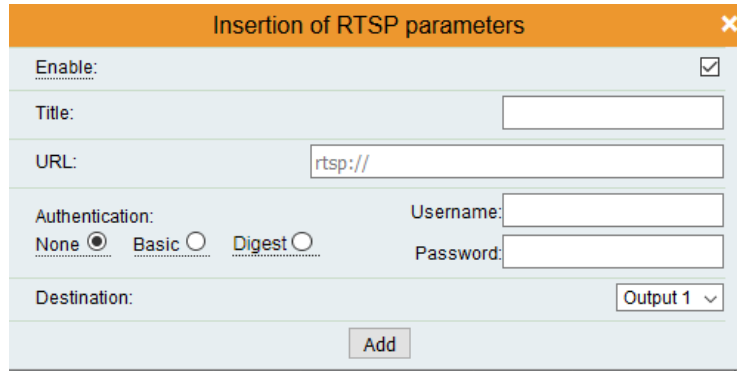
Modulators, starting from 2.00 software version, support RTSP protocol. CCTV cameras usually use this protocol. It has separate table of sources with different parameters than general UDP/RTP sources. See Figure 12.

List of RTSP inputs					
Enable	Title	URL	Destination	Status, RTP errors	
<input checked="" type="checkbox"/>	Cam1	rtsp://192.168.1.151:554/	Output 1	<span style="color: green;">●</span> 0	<a href="#">Edit</a> <a href="#">Remove</a>
<input checked="" type="checkbox"/>	HikVision	rtsp://192.168.1.31:554/	Output 1	<span style="color: green;">●</span> 0	<a href="#">Edit</a> <a href="#">Remove</a>
<input type="button" value="Add"/>					

Figure 12. List of RTSP sources

The list shows only abstract information about the sources, and the status of the source. Meaning of status colors is the same as in UDP/RTP case. Only CC errors do not exist here. RTP errors (IP level) are shown instead.

New streams can be added by pressing "Add" button. New input box will appear on the screen. See Figure 13.



The screenshot shows a dialog box titled "Insertion of RTSP parameters" with a close button (X) in the top right corner. The dialog contains several input fields and controls: an "Enable:" checkbox which is checked; a "Title:" text input field; a "URL:" text input field containing "rtsp://"; an "Authentication:" section with three radio buttons: "None" (selected), "Basic", and "Digest"; "Username:" and "Password:" text input fields; a "Destination:" dropdown menu currently set to "Output 1"; and an "Add" button at the bottom center.

Figure 13. RTSP parameters

"Enable" checkbox enables/disables the source at the lowest level. "Title" is optional name of the source. This name will also appear in the transport stream list (see 6.5 section "Transport streams"). "URL" is full path to RTSP source, starting with "rtsp://", including port number after host, separated by colon (symbol ':'). If port number is not included, default 554 port number will be used.

CCTV cameras may require authentication. Modulator supports "Basic" and "Digest" authentication protocols. Username and password can be added here. "Destination" is RF output number, where the stream will be passed too.

"Edit" link in the "List of RTSP inputs" table will pop-up the same table for editing parameters. Modulator will close existing RTSP connection and open new one, if "enable", "URL", "Authentication", "Username" or "Password" will be modified. "Title" or "destination" modification will not restart the connection.

Important! Ensure that video encoding protocol, broadcasted by CCTV camera is supported by TV. Usually H.264 or H.265 can be viewed on TV. Other protocols may not work on TV!

Audio encoding protocol supports AAC only.

Brief status information of RTSP connections will be added to log.

## 6.4 USB

Device allows to play transport stream content from USB stick. Insert FAT formatted USB stick into the socket. After initialization, file content will be visible. See figure 14:

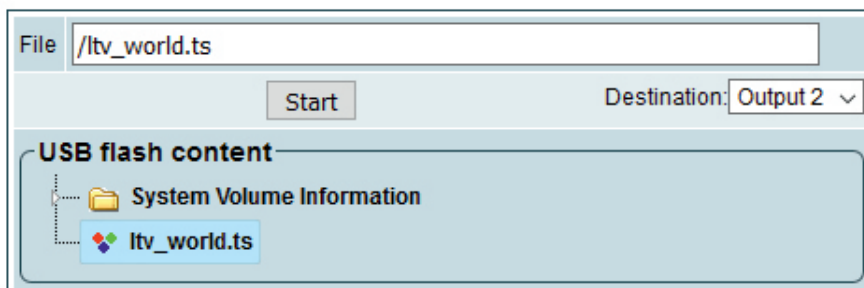


Figure 14. USB content

Select transport stream file you want to play, select output destination and press "Start". All selected transport streams (SPTS or MPTS) will be forwarded to selected output for processing and will be muxed with IP sources. See "Transport streams" menu description for more information. "Start" button will become to "Stop", allowing to stop playing the content.

Only transport stream files with extension \*.ts can be played. If you have any other file format (\*.avi, \*.mkv), use video format converters to convert into \*.ts format.

Only one transport stream can be played at a time.

## 6.5. Transport Streams

All active transport streams, selected at "TS input" or "USB" menu will appear in the list. "Choose output channel" selection switches transport stream list of each output channel. See figure 15.

Choose output channel  
 Output 1 Transparent mode

List of services
 

Service title	Bitrate	LCN	Service ID	Enable
+ TV SES UHD Demo Channel	25.6 Mbps	0	1	Enable <input checked="" type="checkbox"/>
+ TV UHD1 by ASTRA / HD+	18.2 Mbps	0	2	Enable <input checked="" type="checkbox"/>

Update
Select all

Figure 15. Transport stream list of each output channel

A list of services in the selected channel will appear. „List of services“ table shows a list of available services. Icon before the service name indicates service type. Bitrate of each service is measured in real time. Services that currently are not running will be displayed as grayed. They can be selected and will be outputted normally when the services starts running. „LCN“ field is a Logical Channel Number. Every service can have a „channel number“ and TV will sort channels according to it. Just ensure, that all services in all channels have different numbers. Value 0 means, that LCN for that service is not used at all and TV will sort these channels according to it's own rules.

Press onto „+“ sign and service information will be extended (see Figure 16 "Service details").

Service title:	BBC World	New service title:	BBC World
Service provider:	BBC	New service provider:	BBC
Service ID:	10050	Scrambled flag:	<input type="checkbox"/> Other ID <input type="checkbox"/> 10050
PMT PID:	1858		Other PID <input type="checkbox"/> 1858
MPEG1 Audio (eng) PID:	92	Enable	<input checked="" type="checkbox"/> Other PID <input type="checkbox"/> 92
MPEG2 Video PID:	163	Enable	<input checked="" type="checkbox"/> Other PID <input type="checkbox"/> 163
PCR PID:	163		

Figure 16. Service details

Service title and provider can be edited (multilanguage character support). „Scrambled flag“ will be inserted into SDT (Service Description Table). Unchecking this checkbox will not descramble the content. It only carries information about the scrambling status of the service.

Individual streams can be disabled as well. Also PID number can be remapped manually by selecting checkbox "Other PID". Keep in mind that PID must be unique, otherwise PID remapping is done automatically.

Transparent mode has been added in 2.00 software release. This mode turns off transport stream processing engine for selected channel, and passes all packets to the output. Only PCR restamping will work in this mode. Practical usage of this mode – modulation of MPTS transport stream without any changes. Advanced users may use this feature for assembling whole multiplex from different IP sources, generate PSI tables itself, etc.

Press onto „Update“ button to save changes and execute.

## 6.6. NIT

Several tables related to NIT generation exist in this section. Figure 17 describes following TS parameters:

**Global TS parameters**

Network ID	<input type="text" value="1"/>
Private data specifier (hex)	<input type="text" value="0000233A"/>
Network name	<input type="text"/>

Update

Figure 17. "Global TS parameters"

“Network ID”: is unique number within the geographical region defined by the “country code”. For a cable network usually this is a single country code plus 0x2000 (8192). If there are more connected modulators in the network, they must have the same Network ID.

Proper value depending on your country and operator can be found here:

[http://www.dvbservices.com/identifiers/network\\_id?page=1](http://www.dvbservices.com/identifiers/network_id?page=1)

“Private data specifier (in hex format)”: can be inserted in the NIT table for proper LCN description. This value is described in TS 101162 specification. NorDig standard requires 00 00 00 29 value, UK should use 00 00 23 3A value.

“Other options can be found here:

[http://www.dvbservices.com/identifiers/private\\_data\\_spec\\_id?page=1](http://www.dvbservices.com/identifiers/private_data_spec_id?page=1)

The parameter will not be inserted into NIT if value is set to zero.

„Network name“ is the name of the network.

The 2<sup>nd</sup> table in the page describes "Transport stream ID" and "Original network ID" of each channel (see Figure 18). Each stream in a network must have unique ID, called „Transport stream ID“. An Original\_Network\_ID is defined as the “unique identifier of a network”. It can be linked to NetworkID or used value from this location:

[http://www.dvbservices.com/identifiers/original\\_network\\_id?page=1](http://www.dvbservices.com/identifiers/original_network_id?page=1)

	RF output parameters	Original network ID	Transport stream ID
Output 1	C21, 8MHz, QAM-64	<input type="text" value="1"/>	<input type="text" value="1"/>
Output 2	C22, 8MHz, QAM-64	<input type="text" value="1"/>	<input type="text" value="2"/>
Output 3	C23, 8MHz, QAM-64	<input type="text" value="1"/>	<input type="text" value="3"/>
Output 4	C24, 8MHz, QAM-64	<input type="text" value="1"/>	<input type="text" value="4"/>

Figure 18. Transport stream and original network IDs

mid420 has more parameters to setup in this table. User must setup frequency, orbit and polarization of satellite transponder. See Figure 19.

	Frequency, MHz	Orbit	Polarization	Original network ID	Transport stream ID
Output 1	<input type="text" value="1000"/>	<input type="text" value="-19.2"/>	<input type="text" value="Horizontal"/>	<input type="text" value="1"/>	<input type="text" value="1"/>
Output 2	<input type="text" value="1000"/>	<input type="text" value="-19.2"/>	<input type="text" value="Vertical"/>	<input type="text" value="1"/>	<input type="text" value="2"/>

Figure 19. Transport stream and original network IDs (mid420)

Every channel in the network must be described in NIT. Otherwise, TV automatic channel tuning function will not find all channels. All other modules in the network will be monitored via standard SSDP protocol. NIT tables will be regenerated if any change is detected in other modulators with the same Network ID.

Make sure, that Ethernet router is configured properly to pass SSDP packets (239.255.255.250:1900 and 239.255.255.246:7900). Also make sure that control ports of all modules are connected to the same Ethernet network.

### 6.7. EPG

Usually EPG information comes together with each input stream at PID 18. Device will combine all EPG information together for each multiplex. It's also possible to add EPG from external multicast IP address. In this case, original EPG will be disabled, and used new provided. “EPG” menu tab allows selecting, which EPG source should be used – original, or from multicast IP addressing. See Figure 20.

EPG sources			
Output 1:	<input checked="" type="radio"/> Leave original	<input type="radio"/> Use from IP:	239.168.255.10:12345
Output 2:	<input checked="" type="radio"/> Leave original	<input type="radio"/> Use from IP:	239.168.255.10:12345
Output 3:	<input checked="" type="radio"/> Leave original	<input type="radio"/> Use from IP:	239.168.255.10:12345
Output 4:	<input checked="" type="radio"/> Leave original	<input type="radio"/> Use from IP:	239.168.255.10:12345
<input type="button" value="Update"/>			

Figure 20. EPG sources

EPG IP source can be the same, or separate for each RF output.

Only PID 18 will be accepted and passed to the output without any processing. Any other PIDs will be ignored.

**Note:** EPG IP/port number must be different than input of transport stream. If IP address and port will be equal to any of listed UDP/RTP source, EPG IP source will be ignored.

### 6.8. Emergency

Software release starting from 2.29 has functionality of emergency. In case of emergency, the same content will start to broadcast to all RF outputs, all services will become the same. TV will start to show emergency content automatically, without rescanning (TV requires to support PMT version change detection).

Emergency	
Activate emergency channel	<input type="checkbox"/>
IP port	1234
IP address	239.193.3.1
<input type="button" value="Update"/>	

Figure 21. Emergency settings table

“IP port” and “IP address” fields show the source of emergency stream. The stream must be UDP SPTS.

“Activate emergency channel” checkbox will disable all input sources from “TS Input”, and enable only emergency input. If the emergency source is not found, a diagnostic error message will appear.

Normal broadcast will resume as soon as the checkbox will be unchecked.

When the device is started, the emergency condition will be turned off.

Emergency state may be controlled by external software, which can be downloaded from [www.terraelectronics.com](http://www.terraelectronics.com) “Downloads” section. It can switch emergency parameter to all devices on the same LAN at the same time. Make sure the router passes SSDP packets, that are used for automatic device scanning.

### 6.9. RF outputs

mix440, miq440 modulators have four adjacent channels. A bandwidth (mix440) and symbol rate (miq440) must be the same for each channel. Output frequency can be setup for the 1<sup>st</sup> channel in a group. Other RF channel frequency will be calculation automatically according to the selected bandwidth (mix440) or step (miq440).

mid420 modulator has 2 independent channels. See figures 22, 23 and 24.

	Constellation	Bandwidth	Guard interval	Code Rate	Modulation mode	Cell ID	Output frequency, MHz (Channel)		Attenuator, dB	Enable
Output 1	QAM-64	8 MHz	1/32	7/8	8K	0	474.0	C21	0	<input checked="" type="checkbox"/>
Output 2	QAM-64	8 MHz	1/32	7/8	8K	0	482.0	C22	0	<input checked="" type="checkbox"/>
Output 3	QAM-64	8 MHz	1/32	7/8	8K	0	490.0	C23	0	<input checked="" type="checkbox"/>
Output 4	QAM-64	8 MHz	1/32	7/8	8K	0	498.0	C24	0	<input checked="" type="checkbox"/>
<input type="button" value="Update"/>										<input type="checkbox"/> Select all

Figure 22. DVB-T output parameters (mix440)

	Constellation	Symbol rate	Output frequency, MHz (Channel)		Attenuator, dB	Enable
Output 1	QAM-64	6875	474.0	C21	0	<input checked="" type="checkbox"/>
Output 2	QAM-64	6875	482.0	C22	0	<input checked="" type="checkbox"/>
Output 3	QAM-64	6875	490.0	C23	0	<input checked="" type="checkbox"/>
Output 4	QAM-64	6875	498.0	C24	0	<input checked="" type="checkbox"/>
Step			8.0 MHz			

**Update**

Select all

Figure 23. DVB-C (Annex A) output parameters (miq440)

	Constellation	Interleaver	Output frequency, MHz (Channel)		Attenuator, dB	Enable
Output 1	QAM-256	(128, 1)	473	C14	0 0	<input checked="" type="checkbox"/>
Output 2	QAM-64	(128, 2)	479.0	C15	0 0	<input type="checkbox"/>
Output 3	QAM-64	(128, 2)	485.0	C16	0 0	<input type="checkbox"/>
Output 4	QAM-256	(128, 2)	491.0	C17	0 0	<input checked="" type="checkbox"/>

Figure 24. QAM (Annex B) output parameters (miq440)

	Code Rate	Symbol rate	Output frequency, MHz	Attenuator, dB	Enable
Output 1	7/8	27500	1000.0	0 0.00	<input type="checkbox"/>
Output 2	7/8	27500	1050.0	0 0.00	<input type="checkbox"/>

**Update**

Select all

Figure 25. DVB-S output parameters (mid420)

The step of RF channels in DVB-C case can be selected to one of these values: 6.0, 7.0, 7.5, 8.0, 8.3, 8.5 MHz. Actual bandwidth of each channel depends on the symbol rate and can be calculated as  $SR \times 1.15$  (1.15 here is roll-off factor of 15%). Symbol rates of all channels must be the same, from the range of 3500..7200 kSym/s.

Output channel enumeration depends on the region selected from the main page. However, it's allowed to enter any frequency you want in a range of 100..858 MHz.

### 6.10. IP parameters

IP parameters	
MAC address	00:1C:A3:00:00:00
IP address	192.168.1.10
Subnet mask	255.255.255.0
Gateway	192.168.1.1
DNS	8.8.4.4
WEB port	80
IGMP	IGMPv2
IGMP interval (sec)	30
<b>Update</b>	

All device IP settings can be configured here – IP address, Subnet mask, Gateway, DNS (Domain Name System), see Figure 26 "IP settings table". Starting with software version 2.27, the "WEB port" number can be customized. Default is 80. You must restart the device for the port change to take effect. All other IP parameters will be updated immediately after pressing „Update“ button and redirected to new location.

**Note:** IP address can be reset to default (192.168.1.10) by pressing "RESET" button for at least 3 seconds. Ethernet led indicators "activity" [6] and "link" [7] will start to toggle to inform, that the reset IP address request has been accepted. Device will be restarted with default IP address.

To restore all parameters to default values (including password), keep pressing the button for additional 4 seconds. The green (link) indicator will start blinking after that time indicating, that a "restore defaults" command has been accepted. Now the button can be released. Yellow (activity) indicator will light on while resetting parameters. After that device will restart with all default values.

Figure 26. IP settings table

Streaming interface IP parameters	
MAC address	00:1C:A3:00:00:01
IP address	192.168.1.11
Subnet mask	255.255.255.0
Gateway	192.168.1.1
Enable WEB control from streaming interface	<input checked="" type="checkbox"/>
IGMP	IGMPv3
IGMP interval (sec)	120
<input type="button" value="Update"/>	

Figure 27. IP settings table

### 6.11 E-mail-settings

E-mail settings	
Enable e-mail error report	<input type="checkbox"/>
SMTP server	192.168.1.1
SMTP port	25
Sender e-mail address	no_reply@domain.com
Receiver e-mail address	
Timeout for errors in minutes	5
<a href="#">Send test message</a>	
<input type="button" value="Update"/>	

Figure 28. E-mail-settings table

### 6.12. SNMP settings

SNMP settings	
Enable TRAP	<input type="checkbox"/>
Trap community	public
Read community	public
Write community	private
Trap IP address 1	0.0.0.0
Trap IP address 2	0.0.0.0
Trap IP address 3	0.0.0.0
<a href="#">Download MIB file</a>	
<input type="button" value="Update"/>	

Figure 29 "SNMP settings" table

IGMP version selection allows to switch between IGMPv2 and IGMPv3 version for control interface (used by SSDP protocol for communication between each other). Leave IGMPv2 if unsure. IGMP interval is the interval between IGMP report messages. It must be less than setup in your router.

Streaming interface parameters additionally has "Enable WEB control from streaming interface", see picture 27. This checkbox enables the control via streaming port.

In case of IGMPv3, source-specific multicast (SSM) feature allows to specify sources, from which streams can be supplied. Additional "Sender's IP" field will appear at TS Input page to setup these sources.

The device can send e-mail reports if errors were detected. SMTP protocol is used for that. Figure 28 "E-mail settings table" shows parameters related to this feature. "Enable e-mail error report" checkbox enables error monitoring. All errors within "timeout" period will be gathered and send to the e-mail address, provided in "Receiver e-mail address" input box. Comma separated e-mail addresses can be used to send report to multiple addresses. The timer will be started as soon, as the first error is detected and stopped when e-mail is sent. The timer will be restarted again if a new error will appear.

"Sender e-mail address" can be used as authentication in the SMTP server side. SSL (SMTPS) protocol is not supported.

"SNMP settings" table is located in "IP parameters" tab.

The description of the SNMP configuration parameters:

"Read Community" - community name acts as a password that is shared by multiple SNMP agents and one or more SNMP managers. "Read Community" password is used for read-only access to the modules parameters.

"Write Community" - is the password used for read-write access to the modules parameters.

"Enable TRAP" - SNMP traps are alerts generated by agents on a managed device. Check this box to enable TRAP generation. The module generates traps when the diagnostic message occurs.

"TRAP Community" - is the password used for accessing of TRAPS.

"Host IP #1", "Host IP #2", "Host IP #3" - IP addresses of hosts with SNMP managers, where TRAPS will be send.

### 6.13. System menu

This menu tab contains following submenu items: "Event logs", "Export parameters", "Import parameters", "Firmware upgrade", "User management", "Restore defaults", "Reset the device", "Date,Time", "Language". Mouse over to show the list of this submenu.

### 6.14. Event logs

Various important events, errors, warnings will be logged into the system Figure 30 "Event logs". Each record has an event type, which can be used to filter particular messages. Just select checkboxes in the „Logs filtering“ table and press „apply“. Other messages will be hidden.

„Erase logs“ button will erase all logs from the system.

“Export logs” button forms the file (log.html) which will be downloaded to PC.

Each record has a log time when the event appeared. Refer to **6.21 "Date and time settings"** for instructions how to configure "Time settings".

Date/Time	Event type	Event description
2016-09-07 10:30:48	Event	Bitrate overflow restored back for channel 2
2016-09-07 10:30:15	Event	PMT (Test-R) version change detected in channel 1
2016-09-07 10:30:14	Error	Channel 2 bitrate overflow
2016-09-07 10:28:39	Event	Control ETH interface link up: 100Base-TX full-duplex
2016-09-07 10:28:39	Event	System time updated
2007-01-01 00:00:05	Event	Power off/on restart occurred
2016-09-07 10:28:15	Event	PMT (Test-R) version change detected in channel 1
2016-09-07 10:26:14	Event	PMT (Test-R) version change detected in channel 1
2016-09-07 10:24:25	Event	Logs erased

Page 1 Page 2 Page 3 Page 4 Page 5 ... Page 13 Page 14 Page 15 Page 16

Figure 30. Event logs

### 6.15 Export parameters

All settings of transmodulator can be exported for backup or copying to another device. Press "Export parameters" and "parameters.xml" file will be downloaded to PC. This file can be imported only to the same type of device.

### 6.16 Import parameters

Exported parameters can be imported back to the device. Press onto "Click to select file" button (see Figure 31 "Import parameters") to select exported file.

Import parameters

Click to select file

Expected file name: \*.xml

Upload

Figure 31. Import parameters

Press "Upload" button to send the file to the device. It will take several seconds to update all parameters after file upload. After that, device will function with new configuration. No restart is required.

### 6.17 Firmware upgrade

Device firmware can be upgraded via web browser. Press the "Click to select file" button and select firmware binary file. If valid file was selected, a version number of new firmware will be displayed. Otherwise an error message will appear. Press the "Upload" button to upload new firmware to the device. Upload progress bar will appear and may take several seconds to upload, depending on the size of a file and a network connection speed. A message will be displayed asking to restart the device when the file was sent to the device. New firmware will be programmed into the device only after restart. It may take additional minute or more to flash new program. Device will start up with a new firmware and continue to operate with previous parameters. Additional new firmware features (if any) may need to setup additionally to take effect.

Avoid power supply interruption when a programming process is going on.

Device has possibility to load software revision history and check availability for new software release. Click the “Check online” link. If computer (not device!) has internet access, it will show a list of all software releases with links to binary files. Binary file can be downloaded and saved to computer (see Figure 32 "Firmware upgrade"). After that, use the firmware upgrade method as described above.

Current software version: **1.01**

[Check online](#) for new software release

Firmware upgrade

Expected file name: **884.bin**

Revision history	
<b>0.02 version</b> (2014-11-24) <ul style="list-style-type: none"> <li>• New features               <ul style="list-style-type: none"> <li>○ *****</li> </ul> </li> <li>• Fixed bugs               <ul style="list-style-type: none"> <li>○ *****</li> </ul> </li> </ul>	<a href="#">Download</a> (4845 kB)
<hr style="border-top: 1px dashed gray;"/>	
<b>0.01 version</b> (2014-10-23) <ul style="list-style-type: none"> <li>• Initial revision</li> </ul>	<a href="#">Download</a> (5407 kB)

Figure 32. Firmware upgrade

### 6.18 User management

User may change a password here. Length of the password is up to 16 symbols. Type current password and double enter new password to change it.  
 If logged in user has admin role, new users can be added (see Figure 33 "User management").

**Change password**

Username:

Current password:

New password:

Repeat new password:

**User management**

Username:  Password:  Role:

Figure 33. User management

Enter it's username, password, select a role and press „Add“ button.  
 Only administrator (user with a role „admin“) may manage other users.

**Note:** By giving your personal password or user access account for another person, you take full responsibility for all module settings modifications made by that person or anyone else they may give the password too.

### 6.19. Restore defaults

All parameters will be restored back to factory defaults after confirmation. The exception – IP address and users – these parameters will be unchanged. To restore IP address and system password to system defaults, see „RESET“ button description.  
 Several seconds can take to restore all parameters, so be patient.

### 6.20. Restart the device

Device will be restarted after confirmation to do it. This is an alternative to pressing a „RESET“ button when the device is operating.

## 6.21. Date, Time

System time can be configured manually or taken from NTP server (only if module can access NTP server).

Date, Time	
System time	2017-09-05, 09:14:05
Time zone	GMT +3
Date and time source	<input checked="" type="radio"/> NTP server <input type="radio"/> Manual setup
NTP server	pool.ntp.org
Update	

Figure 34. "Date, Time" settings table

## 6.22. Language

Device control panel supports several preinstalled languages. A change of language requires system restart. Note, that all previously logged records will remain in previous language.

Additional languages can be installed under request. Contact our distributors for such possibility.

## 7. Technical specifications

Type		miq440	mix440	mid420
IP input	standard	IEE802.3 100/1000 BaseT		
	bitrate	up to 200 Mbps		
	reception protocols	UDP/RTP, RTSP		
	MPTS, SPTS	Yes		
	IGMP	v.2 (rfc2236), v.3 (rfc3376)		
RTSP specification	transport layer	UDP		
	video coding	H.264 / H.265		
	audio coding	AAC*		
RF output	specification	<b>DVB-C, J.83B</b>	<b>DVB-T</b>	<b>DVB-S</b>
	frequency range	96-862 MHz	170-230 MHz, 470-862 MHz	250-2350 MHz
	channel allocation	adjacent		independent
	allocation step	6, 7, 7.5, 8, 8.3, 8.5 MHz	7, 8 MHz	any
	number of channels	4		2
	level/impedance	90 ± 2 dBμV/75 Ω		80 ± 2 dBμV/75 Ω
	TS bit rate	< 53 Mbit/s	< 31 Mbit/s	< 72 Mbit/s
	MER	≥ 40 dB	≥ 35 dB	≥ 30 dB
	modulation	QAM16, QAM32, QAM64, QAM128, QAM256	QPSK, QAM16, QAM64	QPSK
	channel bandwidth	4...8.3 MHz	7 MHz / 8 MHz	3...60 MHz
	symbol rate	3.5...7.2 Ms/s	-	2...45 Ms/s
	transmission mode	-	2K / 8K	-
	total output level adjustment	0 ÷ -15.0 dB by 1 dB step		
loop through frequency range/loss	45-862 MHz / ≤ 2.5 dB		45-2400 MHz / ≤ 5.0 dB	
Management port	standard IEE802.3 10/100 BaseT (independent on IP input)			
Supply voltage	12 V ± 1 V			
Current consumption	≡ 0.7 A		≡ 1 A	
Operating temperature range	0° ÷ +50° C			
Dimensions/Weight (packed)	36x198x112 mm/0.84 kg		48.5x198x112 mm/0.97 kg	

(pr.) software control \* starting from software version 2.26

## 1. Описание изделий

Устройства представляют собой модуляторы с IP входом и 4 выходными каналами DVB-T (mix440), 4 выходными каналами DVB-C (miq440) и 2 выходными каналами DVB-S (mid420). Устройства предназначены для цифровой модуляции при помощи обработки транспортного потока ТВ и радио программ, передаваемых стримерами или другими источниками IPTV. Устройства фильтруют сервисы, изменяют SI (Service Information), генерируют NIT (Network Information table), LCN (Local Channel Number). Все конфигурации можно изменять при помощи веб-интерфейса.

**miq440** – модулятор с IP (100/1000 Mbit/s) входом и 4 выходными DVB-C каналами.

**mix440** – модулятор с IP (100/1000 Mbit/s) входом и 4 выходными DVB-T каналами.

**mid420** – модулятор с IP (100/1000 Mbit/s) входом и 4 выходными DVB-S каналами.

Трансмодуляторы могут использоваться как автономно действующие устройства.

Модули предназначены работать в закрытом помещении.

## 2. Инструкция по электробезопасности

Инсталляция трансмодулятора должна быть проведена в соответствии с требованиями IEC60728-11 и национальных стандартов безопасности.

Ремонтировать трансмодулятор может только квалифицированный персонал.

Не устанавливайте трансмодулятор в местах, где есть возможность попадания брызг или капель воды.

Не ставьте сосудов (напр. ваз) с водой или другими жидкостями вблизи трансмодулятора, чтобы избежать попадания жидкостей внутрь трансмодулятора.

Не устанавливайте трансмодулятор вблизи приборов отопления, а также в помещениях повышенной влажности.

Держите трансмодулятор вдали от открытого огня.

После длительного хранения трансмодулятора при низкой температуре, необходимо перед включением выдержать его в теплом помещении не менее двух часов.

Не закрывайте трансмодулятор посторонними предметами, напр. газетами, шторами;

При инсталляции крепите трансмодулятор в вертикальном положении. При инсталляции модуля в 19" коммутационную стойку, может понадобится дополнительный вентиляторный блок для охлаждения модулей (см. таблицу "Технические характеристики" - диапазон рабочих температур.)

Сверху, спереди и снизу установленного трансмодулятора должно быть не менее 10 см свободного пространства.



Данный продукт соответствует требованиям Европейской Директивы 2002/96/ЕС. Устройство должно быть переработано или утилизировано в соответствии с местными и региональными правилами.



Оборудование предназначено работать в закрытых помещениях.



Данный продукт соответствует следующим нормам Европейского Союза: электромагнитной совместимости EN50083-2, безопасности EN62368-1 и RoHS EN50581.



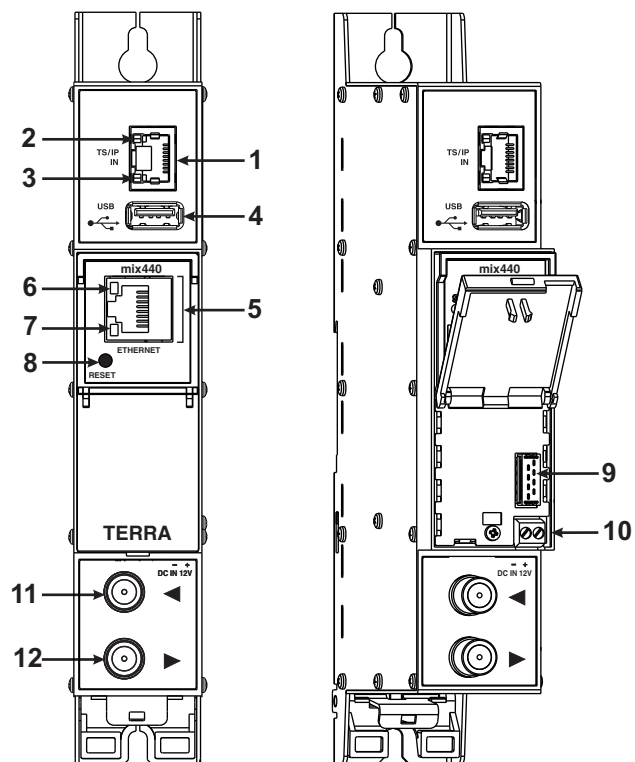
Данный продукт соответствует требованиям технических регламентов Таможенного Союза: "Электромагнитная совместимость технических средств" ТР ТС 020/2011, "О безопасности низковольтного оборудования" ТР ТС 004/2011.



Данный продукт соответствует нормам безопасности по стандарту AS/NZS 60065 и нормам электромагнитной совместимости по стандартам Австралии.

### 3. Внешний вид

#### miq440, mix440



#### mid420

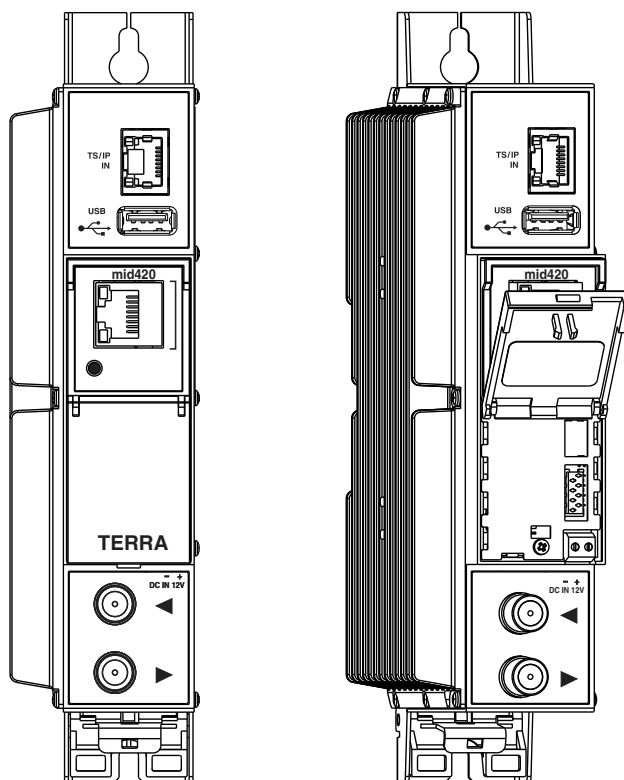


Рис. 1. Внешний вид трансмодуляторов

- 1 - **TS/IP IN** - разъем RJ45 потокового интерфейса Ethernet.
- 2 - Светодиодный индикатор активности (желтый) потоковой передачи интерфейса Ethernet.
- 3 - Светодиодный индикатор соединения (зеленый) потоковой передачи интерфейса Ethernet.
- 4 - **USB** - USB-A разъем для USB флеш.
- 5 - **ETHERNET** - разъем RJ45 управляющего интерфейса Ethernet.
- 6 - Светодиодный индикатор активности (желтый) управляющего интерфейса Ethernet.
- 7 - Светодиодный индикатор соединения (зеленый) управляющего интерфейса Ethernet.
- 8 - Кнопка **RESET (Сброс)**. При однократном коротком нажатии кнопки выполняется перезагрузка модуля.  
При однократном нажатии и удержании кнопки более трех секунд IP-адреса переходит в заводское значение. Дополнительные 4 секунды восстанавливают все настройки по умолчанию, подробнее см. Раздел 6.9.
- 9 - Разъем шины питания.
- 10 - Напряжения питания +12 V (винтовой разъем).
- 11 - РЧ вход (для проходного суммирования по РЧ). Гнездо типа F.
- 12 - РЧ выход. Гнездо типа F.

#### 4. Порядок установки модуля и выполнения подключений

Прочитайте указания по соблюдению мер безопасности при выполнении работ по подключению устройства. Все настройки могут быть выполнены через управляющий интерфейс Ethernet с использованием веб-браузера. До начала работ по подключению модуля отключите блок питания от питающей сети.

Установите и закрепите модуль на планке "DIN rail" или в отдельной стойке.

Подключите все радиочастотные, питающие и управляющие кабели. Рекомендуется использовать экранированный Ethernet кабель.

Подключите нагрузку сопротивлением 75 Ом к неиспользуемым гнездам типа F радиочастотного выхода.

Подключите блок питания к питающей сети.

Через 10-20 секунд после подключения модуль должен начать работать в нормальном эксплуатационном режиме.

Показания светодиодных индикаторов:

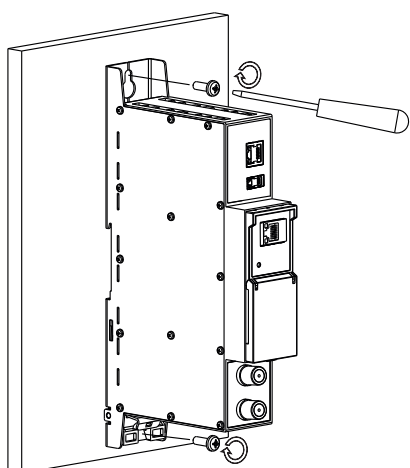
- При установлении соединения с управляющим интерфейсом Ethernet загорается индикатор соединения [7]. Индикатор выключен, когда нет соединения.
- При активном состоянии связи через управляющий интерфейс Ethernet индикатор активности [6] горит мерцающим светом (мигает).

#### 5. Крепление

Прикрепите модуль или угольник к стене стальными болтами или саморезами диаметром 3.5-4 мм. Болты и саморезы не входят в комплект поставки.

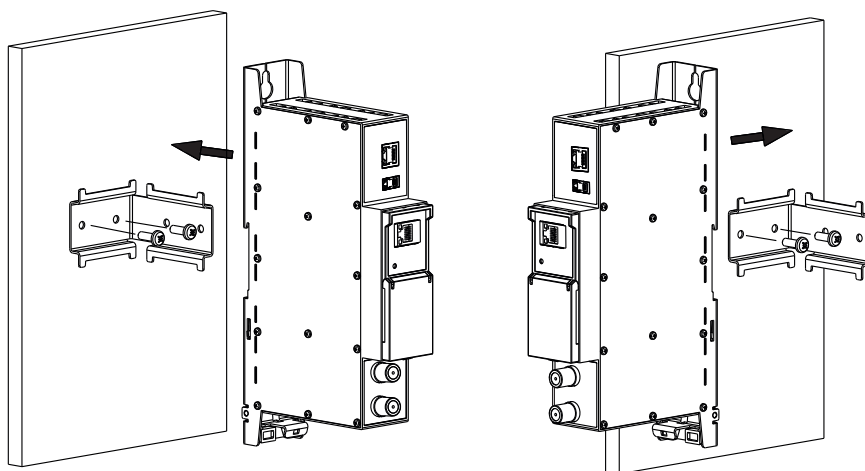
Угольник или планка "DIN rail" должны быть подсоединены к основной шине выравнивания потенциалов.

##### Крепление к стене саморезами



Перпендикулярно к стене

##### Крепление на угольнике (входит в комплект поставки)



Параллельно к стене

Рис. 2. Крепление трансмодулятора

## Крепление к планке "DIN rail"

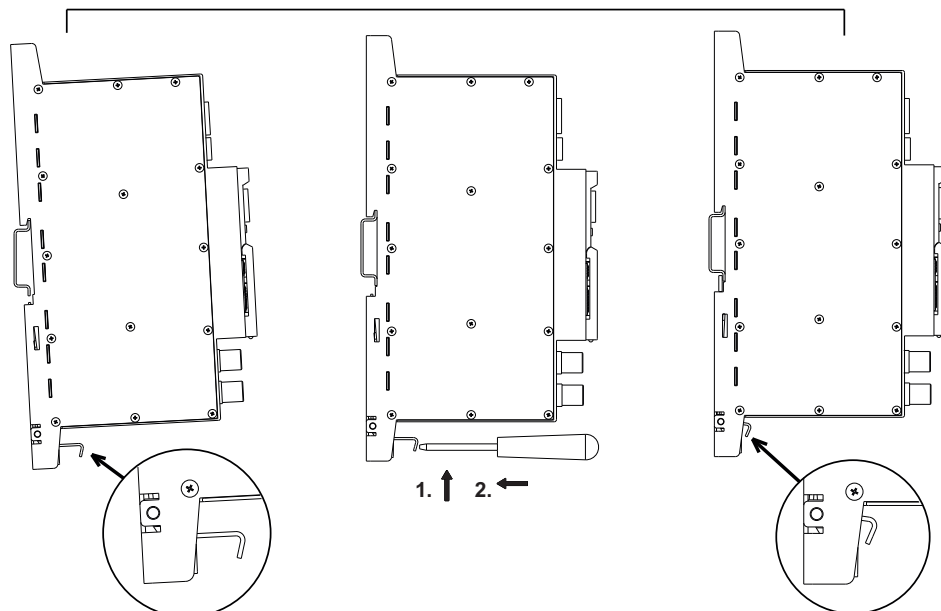


Рис. 3. Крепление к планке "DIN rail"

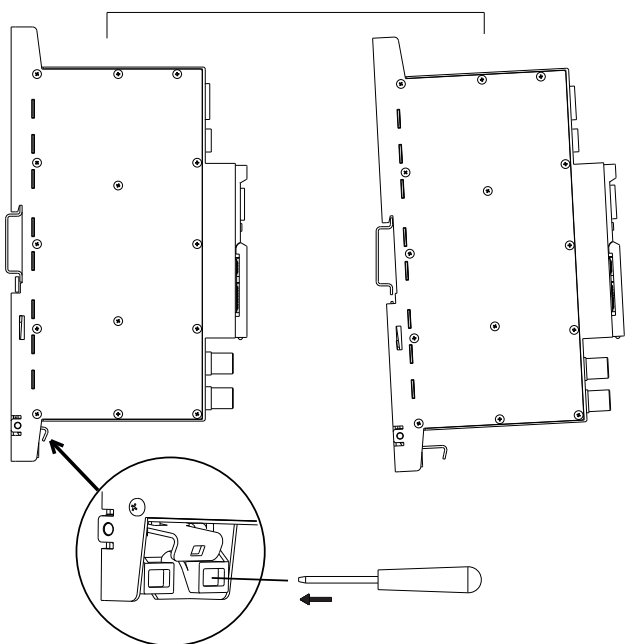


Рис. 4. Демонтаж с планки "DIN rail"

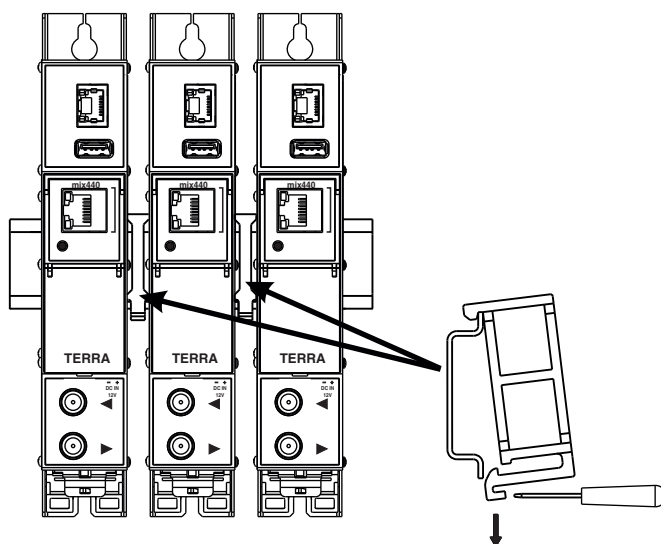



Рис. 5. Крепление или демонтаж к/либо с "DIN rail" пластиковых вставок (входят в комплект поставки).

## ТРЕБОВАНИЯ К ВНЕШНЕМУ ИСТОЧНИКУ ПИТАНИЯ

- Выходное напряжение  $+12\text{ V} \pm 0.5\text{ V}$
- Пульсации на основной и/или двойной частоте сети питания  $< 10\text{ mV p-p}$
- Пульсации и шум  $< 100\text{ mV p-p}$
- Защита от короткого замыкания
- Двойная изоляция (маркированный )
- Помехи в сеть соответствуют EN 55022 класс B, измеряя при включенном заземлении

## 6. Порядок работы с модулем

### 6.1 Начальное конфигурирование

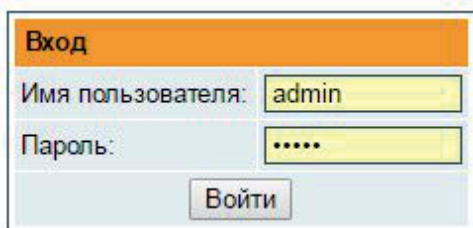
На всех модулях установлен следующий стандартный IP-адрес управляющего интерфейса Ethernet: 192.168.1.10. Во избежание конфликта с другими IP-адресами необходимо выполнить начальное конфигурирование устройства в локальном режиме. В дальнейшем изменение параметров конфигурирования и проверка рабочего состояния устройства может быть осуществлена по локальной сети.

Заводские параметры конфигурации протоколов TCP/IP управляющего интерфейса Ethernet:

IP-адрес модуля (IP address of the module): **192.168.1.10**

Маска подсети (Subnet mask): **255.255.255.0**

Шлюз по умолчанию (Default Gateway): **192.168.1.1**



Для доступа к модулю используйте персональный компьютер, оснащенный Ethernet-адаптером и экранированным кабелем RJ-45 категории CAT-5E или CAT-6. IP-адрес компьютера должен быть установлен в следующем диапазоне: 192.168.1.2 - 192.168.1.254. Не использовать значение 192.168.1.10, так как оно является IP-адресом конфигурируемого модуля. Для начала процесса конфигурации модуля откройте веб-браузер и наберите в адресной строке следующий IP-адрес: http://192.168.1.10. На экране появится окошко с запросом входа в систему (см. рис. 6).

Рис. 6. Запрос входа в систему

Доступ к сетевому интерфейсу защищен паролем и именем пользователя. Имя пользователя и пароль по умолчанию: **admin**. Введите их в соответствующие поля и нажмите на кнопку "**Войти**".

**Внимание!**\* Пароль по умолчанию - **admin** - может и должен быть сменен в порядке, изложенном в пункте **6.18 "Управление пользователями"**. В процессе начального конфигурирования необходимо изменить стандартные настройки протоколов TCP/IP управляющего интерфейса Ethernet в порядке, изложенном в пункте **6.10 "IP настройки"**.

**Внимание!\*\*** При использовании программы Internet Explorer ее версия должна быть 10.0 и выше.

Порядок сброса IP-адреса управляющего интерфейса на адрес по умолчанию: нажмите и удерживайте в течение не менее трех секунд кнопку "**RESET**" (**Сброс**) [8], а затем отпустите ее. При этом будет выполнена установка IP-адреса управляющего интерфейса на значение **192.168.1.10**, а имени пользователя и пароля на **admin**.

### 6.2 Общее конфигурирование

#### Начальный экран программы

На первом экране после входа в систему отображается главное окно программы с общей информацией об устройстве (см. рис. 7).

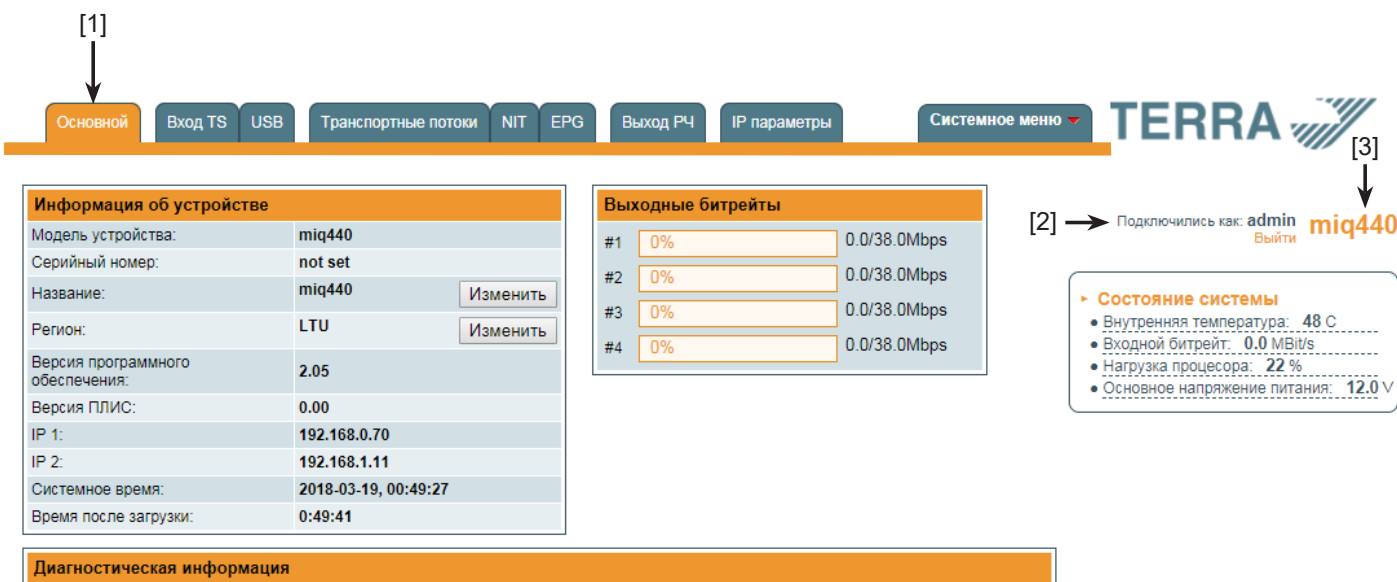


Рис. 7. Экран с общей информацией об устройстве

В верхней части каждого экрана конфигурации находятся вкладки [1] главного меню, с помощью которых можно переключаться между различными меню конфигурации устройства. Меню, которое активно в данный момент, выделено на экране желтым цветом. Вкладка "Системное меню" содержит несколько вложенных подменю (пунктов).

Общим элементом всех экранов является наличие строки с названием модуля [3] и строк с данными входа в систему [2]. Название модуля может быть изменено путем нажатия кнопки "Изменить" в таблице "Информация об устройстве". При нажатии на строку "Выйти" выполняется выход пользователя из интерфейса управления модулем.

## Таблица "Информация об устройстве"

Здесь приводятся следующие данные модуля:

"Модель устройства": модель модуля.

"Серийный номер": серийный номер модуля.

"Название": для удобства пользователь может дать устройству название. Нажмите кнопку "Изменить", чтобы его изменить. Также оно будет отображаться на других устройствах и компьютерах в сетевых устройствах (если ПК поддерживает SSDP).

"Регион": Устройство поддерживает несколько заранее установленных регионов. Список РЧ каналов зависит от того, какой выбран регион. Регион можно изменить, не перезапуская устройство. Просто выберите необходимый регион, нажав на кнопку "Изменить" в таблице "Информация об устройстве". По просьбе можно установить дополнительные регионы. Для этого свяжитесь с нашими агентами по продаже.

"Версии программного обеспечения": номер версии программного обеспечения модуля.

"Системное время": текущее время, синхронизированное с ntp сервера. Сдвиг локального времени можно выбрать в Системном меню → Дата,Время.

"Время после загрузки": время, пройденное с момента последнего включения или перезапуска модуля.

## Таблица выходного битрейта

В ней приводится статус выходного битрейта каждого канала в реальном времени. Горизонтальная полоса показывает процент использованной имеющейся пропускной способности канала. 1-ая цифра справа от полосы указывает на фактический битрейт в Мбит/с. Следующая цифра показывает максимально допустимый битрейт в канале, он зависит от параметров модуляции. Убедитесь, что фактический битрейт не превышает 95% имеющейся пропускной способности. В противном случае, может случиться избыток битрейта.

## Таблица системного статуса

Здесь приводятся следующие параметры в реальном времени: внутренняя температура в градусах Цельсия, входной битрейт (Мбит/с), нагрузка на процессор в процентах, напряжение питания в Вольтах. Убедитесь, что входной битрейт не превышает 200 Мбит/с. В противном случае, некоторые входные пакеты могут быть пропущены и на ТВ появятся помехи в виде пикселей. Также избегайте использования CPU выше 80%.

## Другие устройства в сети

Если в сети присутствуют другие устройства, их статус и диагностическая информация выводятся как показано на Рисунке 7 "Экран с общей информацией об устройстве". Если статус модулей отображается красным, нажмите на стрелку вниз - выведутся ошибки диагностики. Убедитесь, что Ethernet-маршрутизатор сконфигурирован надлежащим образом для прохождения пакетов SSDP (239.255.255.250:1900 и 239.255.255.246:7900). Также убедитесь, что все модули подключены к одной локальной сети Ethernet.

## Таблица диагностической информации

Здесь приводятся все ошибки модулей и пояснения, как их устранить (если возможно).

Диагностическая информация	
Ethernet интерфейс потока не работает	Проверьте Ethernet кабель и коммутатор

Рисунок 8. Таблица диагностической информации с ошибками

## 6.3 Вход TS

Здесь перечислены все источники транспортных потоков. См. рисунок 9.

Список UDP/RTP входов						<a href="#">Загрузка с SAP-SDP</a>	
Включено	Название	IP-адрес	IP порт	Место назначения	Состояние, Ошибки СС		
<input checked="" type="checkbox"/>	Fashion 4K	239.192.5.4	1234	Выход 1	<span style="color: green;">●</span> 0	<a href="#">Редактировать</a>	<a href="#">Удалить</a>
<input checked="" type="checkbox"/>	ORF1 HD	239.192.1.1	1234	Выход 1	<span style="color: green;">●</span> 0	<a href="#">Редактировать</a>	<a href="#">Удалить</a>
<input checked="" type="checkbox"/>	TELESUR HD	239.192.7.2	1234	Выход 1	<span style="color: green;">●</span> 13	<a href="#">Редактировать</a>	<a href="#">Удалить</a>
<input checked="" type="checkbox"/>	RT HD	239.192.7.3	1234	Выход 1	<span style="color: green;">●</span> 17	<a href="#">Редактировать</a>	<a href="#">Удалить</a>
<input checked="" type="checkbox"/>	<input type="text"/>	<input type="text"/>	<input type="text"/>	Выход 1 ▾		<input type="button" value="Добавить"/>	

Рисунок 9. Список источников UDP / RTP

Чтобы добавить новый источник потока UDP/RTP, заполните поля ввода и нажмите "Добавить". Флажок "Включено" направит транспортный поток на обработку. Вместо того, чтобы удалить источник из системы и позднее его снова добавить, источник можно временно отключить. Поле "Название" используется только пользователем для более удобного управления всеми источниками. "IP-адрес" и "IP порт" номера являются основными параметрами источника IPTV. Источники могут быть multicast или unicast, протоколы - UDP или RTP. В случае источников, устройство передает IGMP сообщения в Ethernet-коммутатор для активации запрашиваемых источников. Протокол определяется автоматически. "Место назначения" - это выходной канал РЧ, к которому будет перенаправлен поток.

Столбик "Состояние, ошибки СС" показывает статус каждого источника транспортного потока. Зеленая иконка означает, что устройство видит поток. Желтая - поток ожидается. Красная - поток не найден. Примечание "rtп" к иконке означает, что потоковый протокол - RTP, а ошибки уровня RTP можно просмотреть, наведя мышку на иконку.

Ссылка "Редактировать" позволяет изменить источник IP. Значения строки будут скопированы в области ввода и появится кнопка "Обновить", позволяя обновить настройки.

Ссылка "Удалить" позволяет удалить источник с устройства БЕЗ запроса подтверждения.

Источники входного потока можно автоматически загрузить через протокол SAP-SDP, если источники сигнала (стримеры) его поддерживают. Нажмите на ссылку "Загрузка с SAP-SDP", появится окно со всеми LAN каналами:

SAP-SDP			
Вставить	Название	IP-адрес:Порт	Место назначения
Включенный	Bibel TV HD	239.192.6.4:1234	Выход 1
Включенный	Schau TV HD	239.192.6.5:1234	Выход 1
Включенный	ORF1 HD	239.192.1.1:1234	Выход 1
Включенный	ZDF HD	239.192.8.1:1234	Выход 1
<input checked="" type="checkbox"/>	MDR S-Anhalt HD	239.192.3.4:1234	Выход 1 ▾
<input checked="" type="checkbox"/>	hr-fernsehen HD	239.192.3.6:1234	Выход 1 ▾
<input checked="" type="checkbox"/> Отметить все		Вставить выбранные	

Рисунок 10. Список SAP-SDP

Выберите соответствующий пункт назначения и нажмите "Вставить выбранные". Все выбранные строки будут добавлены в устройство.

Кодированные каналы также можно модулировать. В таком случае рекомендуется MPTS, поскольку в нем будет содержаться все оригинальное EMM/ECM описание каждого мультиплекса. Кодированные каналы SPTS также разрешены, но рекомендуется их избегать, поскольку потоки EMM/ECM для каждого канала повысят пропускную способность и могут спровоцировать путаницу в некоторых приемниках из-за сложного EMM/ECM мультиплексирования.

Для некодированных каналов рекомендуются потоки SPTS.

Для дальнейшей TS обработки см. раздел меню "Транспортные потоки".

Если IGMPv3 выбран в «IP параметры потокового интерфейса», появится дополнительное поле ввода «IP отправителя». Смотрите рисунок ниже:

Список UDP/RTP входов						Загрузка с SAP-SDP
Включено	Название	IP-адрес	IP порт	Место назначения	Состояние, Ошибки СС	
<input checked="" type="checkbox"/>	TELESUR HD	239.192.1.2 (192.168.1.13)	1234	Выход 1	● 0	<a href="#">Редактировать</a> <a href="#">Удалить</a>
<input checked="" type="checkbox"/>	RT France HD	239.192.1.7 (192.168.1.13)	1234	Выход 1	● 0	<a href="#">Редактировать</a> <a href="#">Удалить</a>
<input checked="" type="checkbox"/>	<input type="text"/>	<input type="text"/> IP-адрес потока <input type="text"/> IP отправителя	<input type="text"/>	Выход 1 ▾		<input type="button" value="Добавить"/>

Рисунок 11. Список UDP/RTP

«IP-адрес потока» - это multicast адрес, по которому транслируется поток. «IP отправителя» - это IP-адрес отправителя. Адрес «IP отправителя» также будет отображаться в списке в скобках (см. на рисунке - 192.168.1.13 IP-адрес отправителя). "Загрузка с SAP-SDP" автоматически вставит IP-адрес отправителя.

**Замечание:** Эта функция только для маршрутизаторов! Устройство не будет отбрасывать пакеты от других отправителей. Это будет делать маршрутизатор, если он поддерживает протокол IGMPv3.

Адрес «IP отправителя» может быть пустым. В этом случае маршрутизатор будет передавать потоки от любого отправителя, т.е. будет вести себя как в случае IGMPv2.

Несколько IP-адресов отправителя могут быть добавлены разделяя запятыми.

Модуляторы, версия программного обеспечения которых начинается от 2.00, поддерживают протокол RTSP. Камеры CCTV обычно используют этот протокол. По нему приводится отдельная таблица источников с отличными параметрами, нежели общих источников UDP/RTP. См. рисунок 12.

Список RTSP входов				
Включено	Название	URL	Место назначения	Состояние, Ошибки RTP
<input checked="" type="checkbox"/>	fdh	rtsp://111.111.22.222:554/	Выход 1	● -
<input type="button" value="Добавить"/>				

Рисунок 12. Список источников RTSP

Список приводит только абстрактную информацию об источниках и статус источника. Значение цвета статуса такое же, как и в случае UDP/RTP. Только здесь нет ошибок СС. Вместо этого выводятся ошибки RTP (уровень IP).  
Добавить новые потоки можно, нажав кнопку "Добавить". На экране появится новое окно ввода. См. рисунок 13.

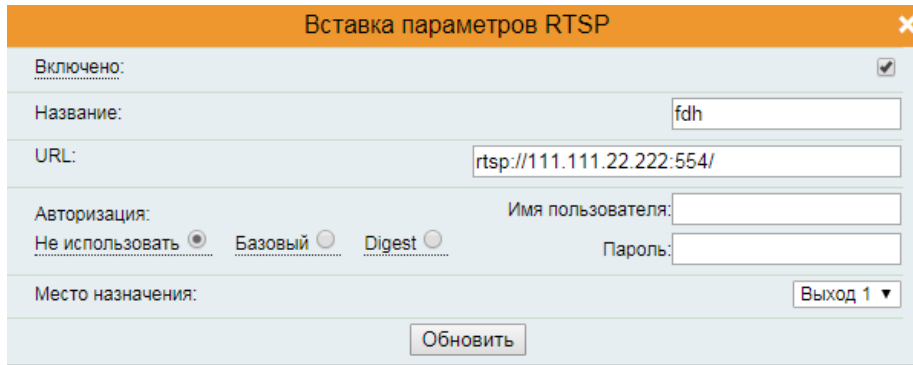


Рисунок 13. RTSP параметры

Флажок "Включено" включает/отключает источник на самом нижнем уровне. "Название" - необязательное название источника. Это название также будет выводиться в списке транспортного потока (см. раздел 6.5 "Транспортные потоки"). "URL" - это полный путь к источнику RTSP, который начинается с "rtsp://", включая номер порта после хоста, отделенный двоеточием (символ ':'). Если номер порта не указан, используется номер порта по умолчанию - 554.

Камеры CCTV могут потребовать аутентификации. Модулятор поддерживает только "Базовый" и "Digest" протоколы авторизации. Здесь можно добавить имя пользователя и пароль. "Место назначения" - это номер выходного РЧ канала, куда направляется поток.

Нажав на ссылке "Редактировать" (см. Рис. 11), высветится та же таблица для редактирования параметров. При изменении "Включено", "URL", "Авторизация", "Имя пользователя" или "Пароль" модулятор закроет текущее RTSP соединение и откроет новое. Изменение "Название" или "Место назначения" не перезапустят соединение.

**Важно!** Убедитесь, что ТВ поддерживает протокол кодирования видео, транслируемый камерой CCTV. Обычно на ТВ можно смотреть H.264 или H.265. Другие протоколы могут не работать на ТВ!

Протокол аудио кодирования поддерживает только AAC.

Краткая информация по статусу RTSP соединений будет добавлена в регистрационный файл.

## 6.4 USB

Устройство позволяет проигрывать контент транспортного потока с USB-накопителя. Вставьте FAT-отформатированный USB-накопитель в разъем. После загрузки отобразится контент. См. рисунок 14:

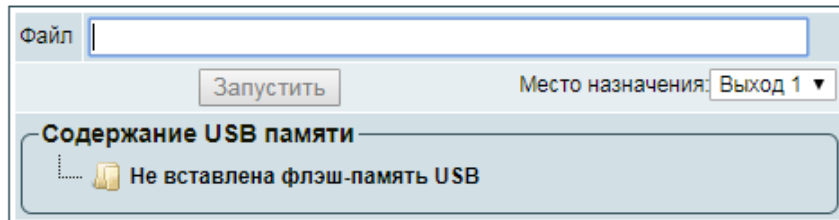


Рисунок 14. USB контент

Выберите файл транспортного потока, который вы хотите запустить, выберите адрес выхода и нажмите "Запустить". Все выбранные транспортные потоки (SPTS или MPTS) будут направлены к выбранному выходу на обработку и объединены с IP источниками. Подробнее см. описание меню "Транспортные потоки". Кнопка "Запустить" изменится на "Стоп", позволяя остановить проигрывание контента.

Проигрывать можно только файлы транспортного потока с расширением \*.ts. Если ваши файлы другого формата (\*.avi, \*.mkv), сконвертируйте их в формат \*.ts при помощи преобразователя формата данных.

Одновременно можно проигрывать только один транспортный поток.

## 6.5. Транспортные потоки

В списке появятся все активные транспортные потоки, выбранные в меню "Вход TS" или "USB". Выбор "Выберите выходной канал" включает список транспортных каналов каждого выходного канала. См. рисунок 15.

Выберите выходной канал

Выход 1 ▾

Список сервисов

Название сервиса	Битрейт	LCN	Сервис ID	Включено
TV Fashion 4K	18.2 Mbps	0	12510	Включено <input type="checkbox"/>
TV ORF1 HD	11.8 Mbps	0	4911	Включено <input type="checkbox"/>
TV TELESUR HD	8.0 Mbps	0	6380	Включено <input type="checkbox"/>
TV RT HD	7.9 Mbps	0	6381	Включено <input type="checkbox"/>

**Обновить**

[Отметить все](#)

Рисунок 15. Список транспортных потоков каждого выходного канала

Появится список сервисов в выбранном канале. Таблица „Список сервисов“ приводит список доступных сервисов. Иконка перед названием сервиса указывает на его тип. Битрейт каждого сервиса замеряется в реальном времени. В данный момент незапущенные сервисы отображаются серым цветом. Когда сервисы запущены, их можно будет выбрать и они будут стандартно выданы. Поле „LCN“ - это номер логического канала. Каждый сервис может иметь „номер канала“, ТВ отсортирует каналы согласно этому номеру. Убедитесь, что у всех сервисов во всех каналах разные номера. Значение 0 означает, что для этого сервиса LCN вообще не используется, поэтому ТВ отсортирует каналы по своим правилам.

Нажмите на знак „+“, раскроется информация по сервису (см. Рисунок 16 "Информация по сервису").

Название сервиса:	<b>Fashion 4K</b>	Новое название сервиса:	Fashion 4K
Провайдер сервиса:	<b>SES ASTRA</b>	Новое название провайдера:	SES ASTRA
Сервис ID:	<b>12510</b>	Флаг кодирования:	<input type="checkbox"/>
		Другой ID <input type="checkbox"/>	12510
PMT PID:	<b>106</b>	Другой PID <input type="checkbox"/>	106
UHD Video PID:	<b>2815</b>	Включено <input checked="" type="checkbox"/>	Другой PID <input type="checkbox"/>
			2815
MPEG1 Audio (eng) PID:	<b>2816</b>	Включено <input checked="" type="checkbox"/>	Другой PID <input type="checkbox"/>
			2816
PCR PID:	<b>2815</b>		

Рисунок 16. Информация по сервису

Название сервиса и провайдера можно редактировать (поддержка символов нескольких языков). „Флаг кодирования“ отмечается в SDT (Таблица описания сервиса). Сняв флажок с этого окошка, кодировка с контента не снимется. Здесь только содержится информация о статусе кодирования сервиса.

Также можно отключить отдельные потоки. Также PID номер можно переназначить вручную, отметив окошко „Другой PID“. Помните, что PID должен быть уникальным, в противном случае, переназначение PID выполняется автоматически.

„Прозрачный“ режим был добавлен в выпуске версии программного обеспечения 2.00. Этот режим отключает модуль обработки транспортных потоков по выбранному каналу и направляет все пакеты к выходу. В этом режиме будет работать только PCR рестампинг. Практическое применение данного режима - модулирование транспортного потока MPTS без изменений. Умелые пользователи могут воспользоваться этой функцией и собрать целый мультиплекс из различных IP источников, сгенерировать таблицы PSI, др.

Нажмите кнопку „Обновить“, чтобы сохранить и применить изменения.

## 6.6. Таблица сетевой информации (NIT)

В данном разделе предусмотрены несколько таблиц, описывающих параметры NIT информации. Таблица "Глобальные параметры TS" определяет следующие параметры потоков:

Глобальные параметры TS	
Идентификатор сети	1
Спецификатор личных данных (hex)	0000233A
Название сети	
<b>Обновить</b>	

Рисунок 17. Таблица "Глобальные параметры TS"

"Идентификатор сети": является уникальным в пределах географического региона, определяемого "country\_code" («кодом страны»). Для кабельной сети обычно это единственный код страны плюс 0x2000 (8192). Если в сети существует больше модуляторов, они должны иметь одинаковый идентификатор сети.

Соответствующее значение, в зависимости от страны и оператора, можно найти на:

[http://www.dvbservices.com/identifiers/network\\_id?page=1](http://www.dvbservices.com/identifiers/network_id?page=1)

"Спецификатор личных данных (hex)" - в шестнадцатеричном формате: может использоваться в таблице сетевой информации NIT для корректного описания номера логического канала LCN. Это значение описано в спецификации TS 101162. Стандарт NorDig требует использовать значение 00 00 00 29, а в Великобритании должно использоваться значение 00 00 23 3A. Другие варианты можно найти на:

[http://www.dvbservices.com/identifiers/private\\_data\\_spec\\_id?page=1](http://www.dvbservices.com/identifiers/private_data_spec_id?page=1)

„Название сети“ - название (имя) сети.

2 таблица на странице описывает "ID транспортного потока" и "Первоначальный идентификатор сети" каждого канала (см. Рисунок 18). Каждый поток в сети должен иметь свой уникальный ID, именуемый „ID транспортного потока“. "Первоначальный идентификатор сети" определяется как "уникальный идентификатор сети". Он может быть связан с Идентификатором сети или можно использоваться значение отсюда:

[http://www.dvbservices.com/identifiers/original\\_network\\_id?page=1](http://www.dvbservices.com/identifiers/original_network_id?page=1)

	Выходные параметры РЧ	Первоначальный идентификатор сети	ID транспортного потока
Выход 1	C21, QAM-64, SR:6875	<input type="text" value="1"/>	<input type="text" value="1"/>
Выход 2	C22, QAM-64, SR:6875	<input type="text" value="1"/>	<input type="text" value="2"/>
Выход 3	C23, QAM-64, SR:6875	<input type="text" value="1"/>	<input type="text" value="3"/>
Выход 4	C24, QAM-64, SR:6875	<input type="text" value="1"/>	<input type="text" value="4"/>

Рисунок. 18. Идентификаторы транспортных потоков и первоначальные идентификаторы сети

У модулятора mid420 больше параметров для установки в этой таблице. Пользователь должен установить частоту, орбиту и поляризацию спутникового ретранслятора. См. рисунок 19.

	Частота, МГц	Орбита	Поляризация	Первоначальный идентификатор сети	ID транспортного потока
Выход 1	<input type="text" value="1000"/>	<input type="text" value="-19.2"/>	Горизонтальная ▾	<input type="text" value="1"/>	<input type="text" value="1"/>
Выход 2	<input type="text" value="1000"/>	<input type="text" value="-19.2"/>	Горизонтальная ▾	<input type="text" value="1"/>	<input type="text" value="2"/>

Рисунок 19. ID транспортного потока и первоначальной сети (mid420)

Каждый канал в сети должен быть описан в NIT. В противном случае, автоматическая функция настройки каналов ТВ не найдет все каналы. Все другие модули в сети управляются через стандартный протокол SSDP. Если обнаружится изменение в других модуляторах с таким же ID сети, таблицы NIT будут восстановлены. Убедитесь, что Ethernet-маршрутизатор сконфигурирован надлежащим образом для прохождения пакетов SSDP (239.255.255.250:1900 и 239.255.255.246:7900). Также убедитесь, что контрольные порты всех модуляторов подключены к одной локальной сети Ethernet.

### 6.7. EPG

Обычно EPG информация идет вместе с каждым входным потоком в PID 18. Устройство объединит всю EPG информацию для каждого мультиплекса. Также можно добавить EPG из внешнего группового IP адреса. В таком случае первоначальный EPG будет отключен, а использоваться будет вновь предоставленный. Вкладка меню "EPG" позволяет выбрать, какой источник EPG использовать - первоначальный или из другой групповой IP адресации. См. рисунок 20.

Источники EPG		
Выход 1:	<input type="radio"/> Оставить оригинал <input checked="" type="radio"/> Использовать с IP:	<input type="text" value="239.168.255.10:12345"/>
Выход 2:	<input checked="" type="radio"/> Оставить оригинал <input type="radio"/> Использовать с IP:	<input type="text" value="239.168.255.10:12345"/>
Выход 3:	<input checked="" type="radio"/> Оставить оригинал <input type="radio"/> Использовать с IP:	<input type="text" value="239.168.255.10:12345"/>
Выход 4:	<input checked="" type="radio"/> Оставить оригинал <input type="radio"/> Использовать с IP:	<input type="text" value="239.168.255.10:12345"/>

Рисунок 20. Источники EPG

IP источник EPG может быть таким же или отдельным для каждого РЧ выхода.

Только PID 18 принимается и направляется к выходу без обработки. Все другие PID-ы игнорируются.

**Замечание:** EPG IP/порт номер должен отличаться от входного транспортного потока. Если IP адрес и порт равны любому из перечисленных источников UDP/RTP, IP источник EPG будет проигнорирован.

### 6.8. Аварийный канал

Программное обеспечение, начиная с 2.29, имеет функцию аварийной ситуации. В случае возникновения аварийной ситуации, тот же контент начнет вещание на все РЧ выходы, все сервисы станут одинаковыми. ТВ начнет показывать аварийный контент автоматически, без повторного сканирования (телевизор должен поддерживать изменения версии PMT).

Аварийный	
Активировать аварийный канал	<input type="checkbox"/>
IP порт	<input type="text" value="1234"/>
IP-адрес	<input type="text" value="239.193.3.1"/>
<input type="button" value="Обновить"/>	

Рис 21. Таблица "Аварийный канал"

Поля "IP порт" и "IP-адрес" показывают источник аварийного потока. Поток должен быть UDP SPTS.

Поставление флажка на окошке "Активировать аварийный канал" - отключит все входные источники из "Вход TS" и включит только аварийный вход. Если аварийный источник не найден, появится диагностическое сообщение об ошибке.

Обычная трансляция возобновится, как только флажок будет снят.

При запуске устройства аварийное состояние будет отключено.

Аварийную ситуацию можно контролировать с внешним программным обеспечением, которое переключать аварийный параметр на все устройства в одной локальной сети одновременно. Программу для Windows 10 можно скачать с [www.terraelectronics.com](http://www.terraelectronics.com), секции "Скачать". Убедитесь, что маршрутизатор пропускает пакеты SSDP, которые используются для автоматического сканирования устройства.

### 6.9. "Выход РЧ"

У модуляторов mix440, miq440 имеется четыре смежных канала. Пропускная способность (mix440) и скорость модуляции (miq440) должны быть одинаковыми для каждого канала. Выходная частота может быть установлена для 1-ого канала в группе. Другая частота РЧ канала будет рассчитана автоматически согласно выбранной пропускной способности (mix440) или интервалу (miq440).

У модулятора mid420 2 независимых канала. См. рисунки 22, 23 и 24.

	Конstellация	Ширина полосы пропускания	Защитный интервал	Скорость кодирования	Режим модуляции	Cell ID	Выходная частота, МГц (Канал)		Аттенюатор, dB		Включено
Выход 1	QAM-64	8 MHz	1/32	7/8	8K	0	474.0	C21	0	0.00	<input checked="" type="checkbox"/>
Выход 2	QAM-64	8 MHz	1/32	7/8	8K	0	482.0	C22	0	0.00	<input checked="" type="checkbox"/>
Выход 3	QAM-64	8 MHz	1/32	7/8	8K	0	490.0	C23	0	0.00	<input checked="" type="checkbox"/>
Выход 4	QAM-64	8 MHz	1/32	7/8	8K	0	498.0	C24	0	0.00	<input checked="" type="checkbox"/>

[Отметить все](#)

Рисунок 22. Выходные параметры DVB-T (mix440)

	Конstellация	Символьная скорость	Выходная частота, МГц (Канал)		Аттенюатор, dB		Включено
Выход 1	QAM-64	6875	474.0	C21	0	0.00	<input checked="" type="checkbox"/>
Выход 2	QAM-64	6875	482.0	C22	0	0.00	<input checked="" type="checkbox"/>
Выход 3	QAM-64	6875	490.0	C23	0	0.00	<input checked="" type="checkbox"/>
Выход 4	QAM-64	6875	498.0	C24	0	0.00	<input checked="" type="checkbox"/>
Шаг			8.0 MHz				

[Отметить все](#)

Рисунок 23. Выходные параметры DVB-C (miq440)

	Скорость кодирования	Символьная скорость	Выходная частота, МГц	Аттенюатор, dB	Включено
Выход 1	7/8 ▼	27500	1000.0	0 ▼ 0.00	<input type="checkbox"/>
Выход 2	7/8 ▼	27500	1050.0	0 ▼ 0.00	<input type="checkbox"/>

**Обновить**

[Отметить все](#)

Рисунок 24. Выходные параметры DVB-S (mid420)

Интервал РЧ каналов в случае DVB-C может быть выбран из следующих значений: 6.0, 7.0, 7.5, 8.0, 8.3, 8.5 MHz. Фактическая пропускная способность каждого канала зависит от скорости передачи символов и может быть рассчитана следующим образом -  $SR \times 1.15$  (где 1.15 коэффициент сглаживания от 15%). Скорость передачи символов всех каналов должна быть одинаковой в диапазоне от 3500 до 7200 kSym/s.

Нумерация выходного канала зависит от выбранного на главной странице региона. Тем не менее разрешено выбрать любую частоту в диапазоне от 100 до 858 MHz.

## 6.10. "IP параметры"

Все IP настройки устройства можно сконфигурировать здесь – "IP адрес", "Маска подсети", "Шлюз", "DNS" (Система именования доменов), см. Рисунок 25 "Таблица IP настроек". Начиная с версии программного обеспечения 2.27, число «WEB порт» может быть изменен. По умолчанию 80. После изменения числа порта необходимо перезагрузить устройство. Все остальные параметры IP будут обновлены сразу после нажатия кнопки «Обновить» и будут перенаправлены на новое расположение.

IP параметры	
MAC адрес	00:1C:A3:00:00:00
IP-адрес	192.168.1.10
Маска подсети	255.255.255.0
Шлюз	192.168.1.1
DNS	8.8.4.4
WEB порт	80
IGMP	IGMPv2 ▼
IGMP interval (sec)	30
<b>Обновить</b>	

**Замечание:** IP адрес можно установить по умолчанию (192.168.1.10), нажав и удерживая кнопку "RESET" (сброс) по меньшей мере 3 сек. Светодиодные индикаторы Ethernet интерфейса активности [6] и соединения [7] начнет мигать информируя о том, что запрос на сброс IP адреса принят. Устройство перезапустится с IP адресом по умолчанию.

Чтобы восстановить все параметры до значений по умолчанию (включая пароль), удерживайте кнопку еще 4 секунды. По истечении этого времени начнет мигать зеленый индикатор, указывая на то, что команда «Восстановить настройки производителя» была принята. Теперь кнопку можно отпустить. При сбросе параметров загорится желтый индикатор. После этого устройство перезагрузится со всеми значениями по умолчанию.

Выбор версии IGMP позволяет переключаться между версией IGMPv2 и IGMPv3 для управления интерфейса (использует протокол SSDP для связи друг с другом). Если вы не уверены, оставьте IGMPv2.

IGMP интервал - это интервал между сообщениями отчета IGMP. Это должно быть меньше, чем установлено на вашем маршрутизаторе.

Рисунок 25. Таблица IP настроек

IP параметры потокового интерфейса	
MAC адрес	00:1C:A3:00:00:01
IP-адрес	192.168.1.79
Маска подсети	255.255.255.0
Шлюз	192.168.1.1
Разрешить WEB управление через потоковый интерфейс	<input checked="" type="checkbox"/>
IGMP	IGMPv3 ▼
IGMP interval (sec)	120
<b>Обновить</b>	

Таблица "IP параметры потокового интерфейса" дополнительно имеет параметр "Разрешить WEB управление через потоковый интерфейс", см. рис. 26. Это кнопка-флажок включает управление через потоковый порт.

В случае IGMPv3, функция групповое вещание с настройкой источника, позволяет указать источники, из которых могут подаваться потоки. Дополнительное поле «IP отправителя» появится на странице "Вход TS" для настройки этих источников.

Рисунок 26. Таблица IP параметры потокового интерфейса

## 6.11 "Настройки электронной почты"

Настройки электронной почты	
Включить отчет об ошибках по электронной почте	<input type="checkbox"/>
Сервер SMTP	<input type="text" value="192.168.1.1"/>
Порт SMTP	<input type="text" value="25"/>
Адрес электронной почты отправителя	<input type="text" value="no_reply@domain.com"/>
Адрес электронной почты получателя	<input type="text"/>
Время накопления ошибок в минутах	<input type="text" value="5"/>
<a href="#">Отправить тестовое сообщение</a>	
<input type="button" value="Обновить"/>	

Рисунок 27. Таблица настроек электронной почты

Если обнаружены ошибки, устройство может высылать сообщения на эл. почту. Для этого используется протокол SMTP. Рисунок 27 "Таблица настроек электронной почты" приводит связанные с этой функцией параметры. Поставив флажок "Включить отчет об ошибках по электронной почте", включается контроль ошибок. Все ошибки за период простоя собираются и высылаются на адрес эл. почты, указанный в поле ввода "Адрес электронной почты получателя". Для рассылки эл. письма нескольким адресатам адреса эл. почты необходимо отделить запятыми. С момента обнаружения первой ошибки запускается таймер, он останавливается, когда эл. письмо отправлено. Таймер повторно запускается, если обнаружена новая ошибка.

"Адрес электронной почты отправителя" может быть использован в качестве механизма аутентификации со стороны сервера SMTP. Протокол SSL (SMTPS) не поддерживается.

## 6.12. "Настройки SNMP"

Таблица "Настройки SNMP" находится во вкладке "IP параметры".

Настройки SNMP	
Включить TRAP	<input type="checkbox"/>
Trap community	<input type="text" value="public"/>
Read community	<input type="text" value="public"/>
Write community	<input type="text" value="private"/>
IP-адрес пре3	<input type="text" value="0.0.0.0"/>
IP-адрес пре3	<input type="text" value="0.0.0.0"/>
IP-адрес пре3	<input type="text" value="0.0.0.0"/>
<a href="#">Download MIB file</a>	
<input type="button" value="Обновить"/>	

Рисунок 28. Таблица "Настройки SNMP"

Описание параметров конфигурации SNMP:

"Read Community" - имя сообщества, выступающее в качестве пароля, общего для многочисленных SNMP-агентов, и одного или более SNMP-администраторов. Пароль "Read Community" используется для доступа только для просмотра параметров модулей.

Пароль "Write Community" используется для доступа для просмотра и редактирования параметров модулей.

"Включить TRAP" - SNMP-прерывание представляет собой предупреждения, генерируемые агентами на управляемом устройстве. Чтобы активировать генерацию прерываний, поставьте в окошке флажок. Модуль генерирует прерывания, когда появляется сообщение об ошибке.

"TRAP Community" - пароль, используемый для доступа к прерываниям.

"Host IP #1", "Host IP #2", "Host IP #3" - IP адреса хостов с SNMP-администраторами, куда будут высылаться прерывания.

## 6.13. Системное меню

В этой вкладке меню содержатся следующие пункты подменю: "Протоколы событий", "Экспортировать параметры", "Импортировать параметры", "Обновление прошивки", "Управление пользователями", "Восстановить настройки производителя", "Перезагрузить устройство", "Дата, Время", "Язык". Наведите мышку, чтобы просмотреть список этого подменю.



В устройстве имеется возможность загрузить историю изменения программного обеспечения и проверить доступность новой версии. Нажмите на ссылку "Проверьте онлайн нет ли новой прошивки". Если компьютер (не устройство!) подключен к интернету, появится список всех версий программного обеспечения с ссылками на двоичные файлы. Двоичный файл можно скачать и сохранить на компьютер (см. Рисунок 31 "Окно обновления программного обеспечения"). Затем следуйте методу обновления программного обеспечения как описано выше.

Текущая версия программы: **2.05**  
[Проверьте онлайн нет ли новой прошивки](#)

Обновление прошивки

Нажмите, чтобы выбрать файл

Необходимый файл: **982[\_ver].bin**

Revision history	
<b>2.04 version</b> (2018-02-22) <span style="float: right;"><a href="#">Download</a> (2908 kB)</span> <ul style="list-style-type: none"> <li>• Fixed bugs                             <ul style="list-style-type: none"> <li>◦ In some cases DNS/NTP server responses raised device to stop responding or restart continuously. Fixed.</li> </ul> </li> </ul>	
<b>2.03 version</b> (2018-02-19) <span style="float: right;"><a href="#">Download</a> (2908 kB)</span> <ul style="list-style-type: none"> <li>• New features                             <ul style="list-style-type: none"> <li>◦ Digest authorization added to RTSP</li> <li>◦ H.264 support added to RTSP</li> </ul> </li> </ul>	

Рисунок 31. Окно обновления программного обеспечения

### 6.18. "Управление пользователями"

Здесь пользователь может изменить пароль. Длина пароля до 16 символов. Введите текущий пароль и дважды введите новый пароль, чтобы его изменить.

Если у подключившегося пользователя есть право администратора, здесь можно добавить новых пользователей (см. Рисунок 32 "Управление пользователями").

**Изменение пароля**

Имя пользователя:

Текущий пароль:

Новый пароль:

Повторите новый пароль:

**Управление пользователями**

Имя пользователя:	Пароль:	Роль:	<input type="button" value="Добавить"/>
<input style="width: 100%;" type="text"/>	<input style="width: 100%;" type="password"/>	Пользователь ▾	

Рисунок 32. Окно "Управление пользователями"

Введите его имя пользователя, пароль, выберите роль и нажмите кнопку „Добавить“. Только администратор (пользователь с ролью „admin“) может управлять другими пользователями.

**Замечание:** Если вы даете ваш личный пароль или пользовательский доступ другому лицу, вы являетесь полностью ответственным за все изменения настроек модуля, выполненные таким лицом или кем-либо, кому мог быть передан пароль.

### 6.19. "Восстановить настройки производителя"

После подтверждения, все параметры будут восстановлены на заводские настройки по умолчанию. Исключение - IP адрес и пользователи - эти параметры остаются неизменными. Чтобы восстановить IP адрес и системный пароль к значениям, устанавливаемым системой по умолчанию, см. описание кнопки „RESET“ (Сброс).

Будьте терпеливы, восстановление всех параметров может занять несколько секунд.

### 6.20. "Перезагрузить устройство"

Устройство перезапустится после подтверждения. Также можно нажать на кнопку „RESET“ (Сброс) во время работы устройства.

## 6.21. "Дата, Время"

Дата, Время	
Системное время	2018-03-19, 00:47:20
Часовой пояс	GMT 0
Источник времени	<input type="radio"/> сервер NTP <input checked="" type="radio"/> Ручная настройка
Дата	2018-03-19
Время	00:47:16
Авто DST	<input type="checkbox"/>
Обновить	

Системное время может быть сконфигурировано вручную или взято с NTP сервера (только если модуль может получить доступ к NTP серверу).

Рисунок 33. Таблица настроек "Дата, Время"

## 6.22. Язык

Контрольная панель устройства поддерживает несколько заранее установленных языков. Чтобы изменить язык, необходимо перезапустить устройство. Помните, что все ранее введенные записи останутся на том языке, на котором они были введены. По просьбе можно установить дополнительные языки. Для этого свяжитесь с нашими агентами по продаже.

## 7. Технические характеристики

Тип		miq440	mix440	mid420
IP вход	стандарт	IEEE802.3 100/1000 BaseT		
	скорость потока	до 200 Mbps		
	протоколы передачи	UDP/RTP, RTSP		
	MPTS, SPTS	Yes		
	IGMP	v.2 (rfc2236), v.3 (rfc3376)		
RTSP спецификация	транспортный уровень	UDP		
	кодирование видео	H.264 / H.265		
	кодирование аудио	AAC*		
RF выход	спецификация	<b>DVB-C, J.83B</b>	<b>DVB-T</b>	<b>DVB-S</b>
	частотный диапазон	96-862 MHz	170-230 MHz, 470-862 MHz	250-2350 MHz
	частотный план ТВ каналов	соседние каналы		независимые
	шаг канала	6, 7, 7.5, 8, 8.3, 8.5 MHz	7, 8 MHz	любой
	число каналов	4		2
	уровень/импеданс	90 ± 2 dBμV/75 Ω		80 ± 2 dBμV/75 Ω
	скорость транспортного потока	< 53 Mbit/s	< 31 Mbit/s	< 72 Mbit/s
	MER	≥ 40 dB	≥ 35 dB	≥ 30 dB
	модуляция	QAM16, QAM32, QAM64, QAM128, QAM256	QPSK, QAM16, QAM64	QPSK
	ширина полосы	4...8.3 MHz	7 MHz / 8 MHz	3...60 MHz
	скорость цифрового потока	3.5...7.2 Ms/s	-	2...45 Ms/s
	режим передачи	-	2K / 8K	-
	диапазон регулирования вых. уровня суммарного сигнала	0 ÷ -15.0 dB by 1 dB step		
	частотный диапазон выходного ответвления/потери	45-862 MHz / ≤ 2.5 dB		45-2400 MHz / ≤ 5.0 dB
Порт управления	стандарт IEEE802.3 10/100 BaseT (не зависит от ввода IP)			
Напряжения питания	12 V ± 1 V			
Потребление тока	0.7 A		1 A	
Диапазон рабочих температур	0° ÷ +50° C			
Габариты/Вес (в упаковке)	36x198x112 mm/0.84 kg		48.5x198x112 mm/0.97 kg	

Ⓜ переключается программным путем \* начиная с версии программного обеспечения 2.26